

## Loden

*Design: Gianmaria & Stefano Conficconi*



### *Description*

Loden redefines comfort with informal elegance—an oasis of relaxation that seamlessly adapts to any space and everyday living, a masterpiece of softness and versatility. The perfect expression of relaxed sophistication, it invites you to experience space with spontaneity, wrapped in embracing forms and exquisite materials that strike a perfect balance between aesthetics and functionality.

This Italian luxury sectional offers exceptional adaptability with flexible backrests and armrests, allowing you to find your ideal position for comfort. It also includes decorative and lumbar cushions for added support and relaxation, and it offers decorative cushions padded with siliconized microfiber are available as optionals. The design is elevated by an elegant leather piping, adding a touch of sophistication to its overall look. It also includes decorative cushions for added support and relaxation.

Made in Italy.

### *Finishes & Materials*

**Structure:** Multilayer poplar wood with elastic belts support.

**Padding:** Expanded polyurethane covered in siliconized acrylic fiber.

**Upholstery:** Fabric or Leather.

**Piping & Side Armrest Detail:** Leather.

**Feet:** Matt lacquered wood.



## Loden

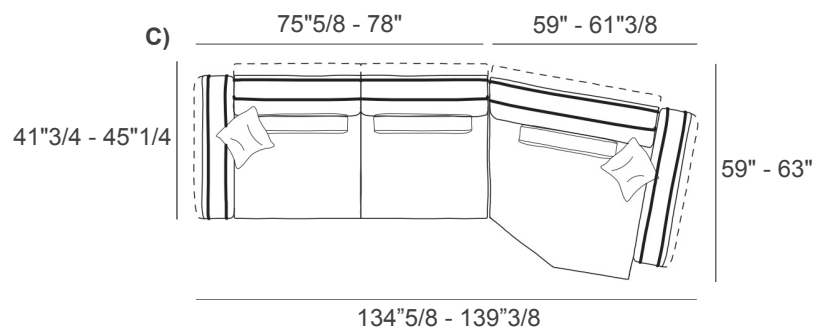
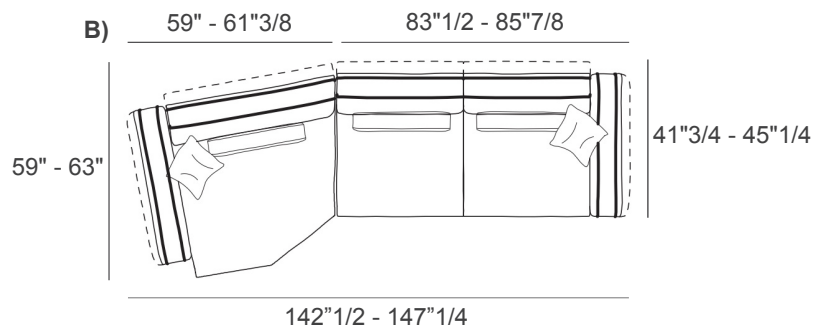
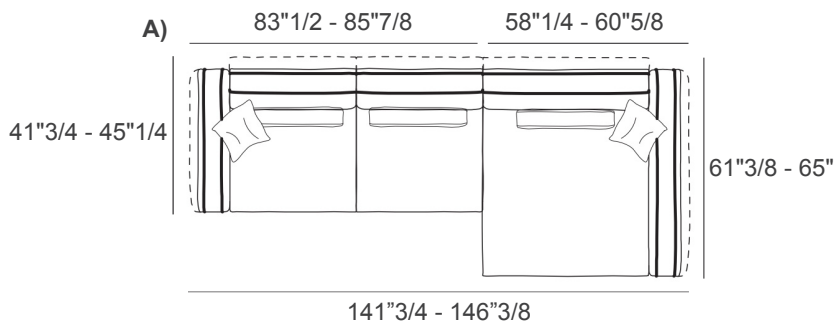
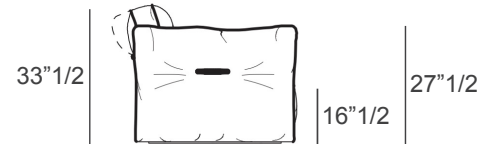
### Compositions

- A) 141"3/4W - 146"3/8W x 61"3/8D - 65"D x 33"1/2H - Cod. 19+16G
- B) 142"1/2W - 147"1/4W x 59"D - 63"D x 33"1/2H - Cod. 27+20
- C) 134"5/8W - 139"3/8W x 59"D - 63"D x 33"1/2H - Cod. 07+28
- D) 117"3/8W - 123"1/4W x 117"3/8D - 123"1/4D x 33"1/2H - Cod. 23+08
- E) 125"1/8W - 131"W x 117"3/8D - 123"1/4D x 33"1/2H - Cod. 19+24
- F) 150"3/8W - 156"1/4W x 117"3/8D - 123"1/4D x 33"1/2H - Cod. 23+10

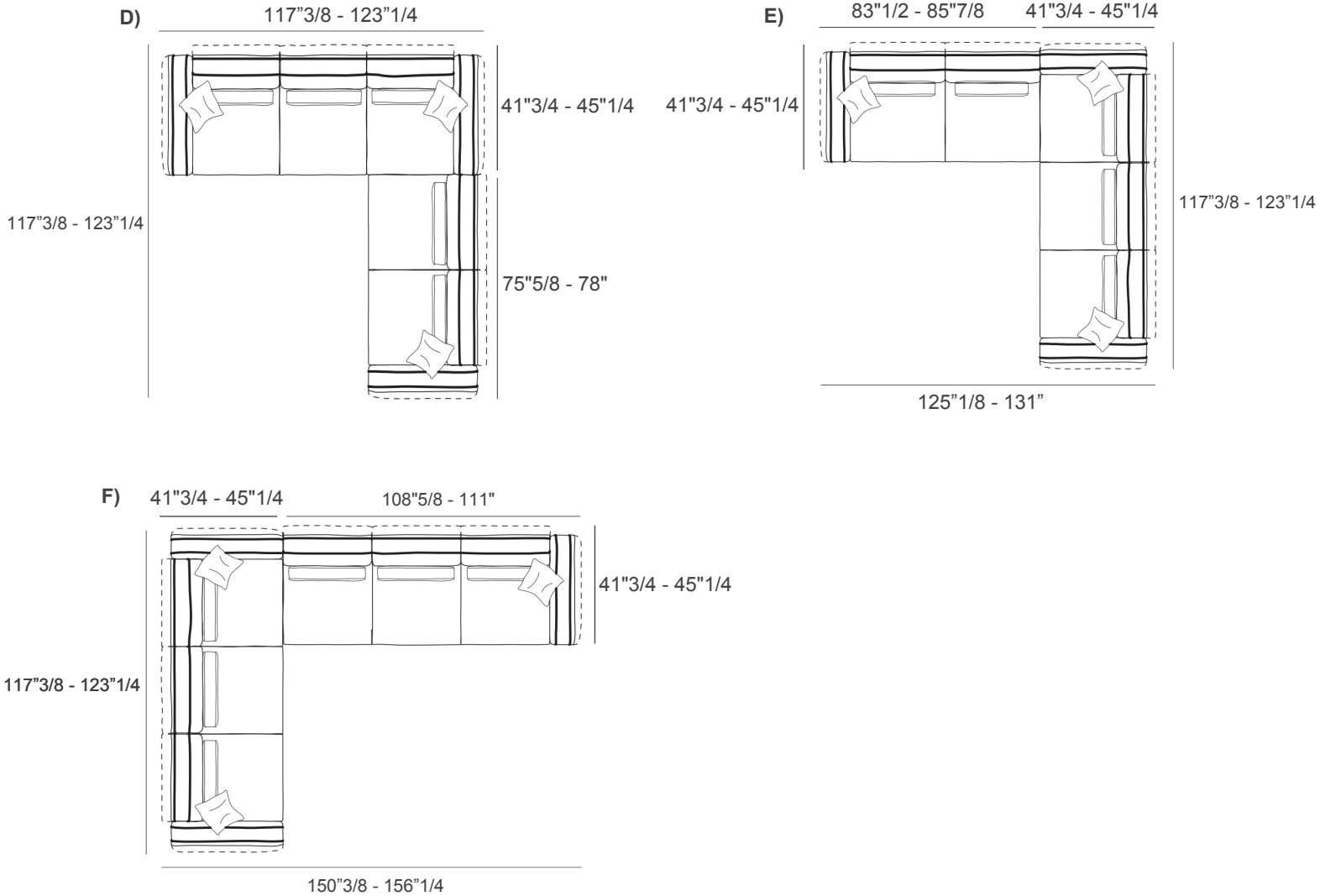
Seat height: 16"1/2

Armrests height: 27"1/2

Side view



## Loden

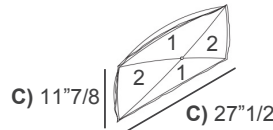
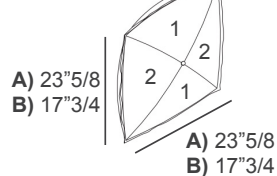


### Optional decorative cushions

#### Two-Color:

- A) 23"5/8W x 23"5/8H - **Cod. C1**
- B) 17"3/4W x 17"3/4H - **Cod. C2**
- C) 27"1/2W x 11"7/8H - **Cod. C3**
- D) Ø19"5/8 - **Cod. C7**

#### Two-Color



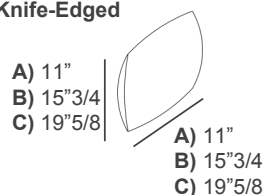
#### Please note:

The sections marked with the number 1 may be in one color, and the sections marked with the number 2 will be in a different color.

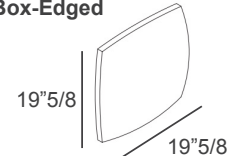
#### Knife-Edged:

- A) 11"W x 11"H - **Cod. C4**
- B) 15"3/4W x 15"3/4H - **Cod. C5**
- C) 19"5/8W x 19"5/8H - **Cod. C9**
- D) 27"1/2W x 11"7/8H - **Cod. 10**

#### Knife-Edged



#### Box-Edged



#### Box-Edged:

- 19"5/8W x 19"5/8H - **Cod. C50**