

Maori

Design: Luca Erba



Description

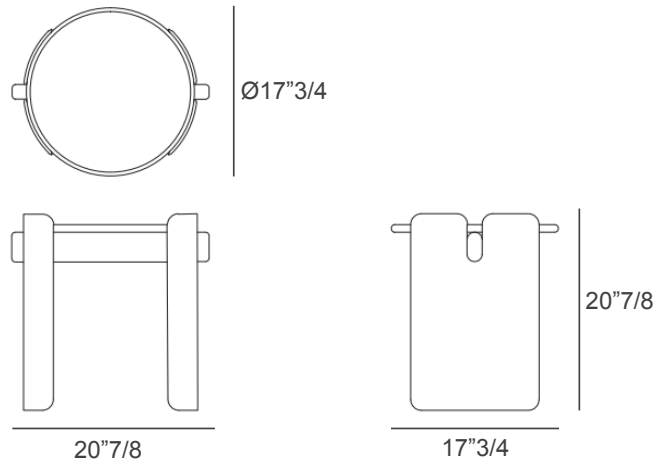
With a minimalist yet primordial spirit, the Maori side table stand out for its bold interlocking structure. Like a mask resting on a face, two leather-clad surfaces wrap around and support the circular top, while a solid wood crossbar unites the components with precision.

The result is a piece that captures the strength and purity of primitive forms, while elevating the intrinsic value of each material through refined craftsmanship.

Made in Italy.

Dimensions

20"7/8W x 17"3/4D x 20"7/8H



Finishes & Materials

Top: Multi-laminated veneered wood or Ceramic.

Under-top Crossbar: Solid wood.

Base Structure: Metal.

Base Upholstery: Leather with special raw cut edges.

Feet: Lacquered.

