

Castel

Design: Vincenzo Bafunno



Description

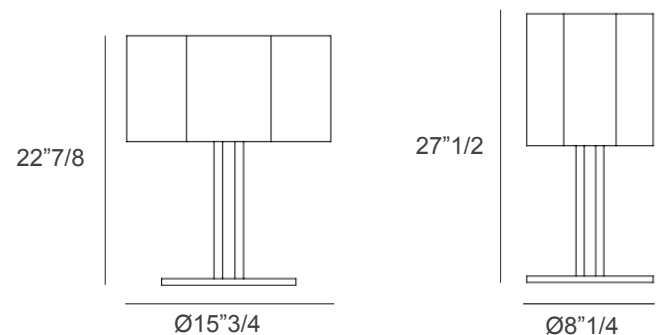
The alchemy of light unveils the essence of architecture and transforms it into design. Inspired by the timeless geometry of Castel del Monte, the collection offers a contemporary interpretation of Apulia's architectural heritage. Its octagonal form becomes a prism of reflection, capturing and refracting the shifting interplay of light and color within a space. Each face reveals a distinct character, crystallizing the ever-changing iridescence of its surroundings.

Made in Italy.

Light source: 1 bulb E27 x max 40W - 5 Kg - 0,26 V3 Energy Efficiency: A+

Dimensions

- A) $\text{Ø}15\frac{3}{4}$ x 22 $\frac{7}{8}$ H
- B) $\text{Ø}8\frac{1}{4}$ x 27 $\frac{1}{2}$ H



Finishes & Materials

Structure: Handcrafted metal.

Base: Marble.