

Corallo

Design: Studio in Project



Description

The design takes inspiration from the organic curves of coral islands, capturing both balance and movement in its circular form. The hand-ground finish adds a refined texture, shimmering like sunlight reflected on warm waters. When illuminated, the lamp radiates a soft brilliance, offering not only functional light but also a distinctive decorative presence that enriches any interior with elegance and depth. Made in Italy.

Finishes & Materials

Structures: Handcrafted metal.

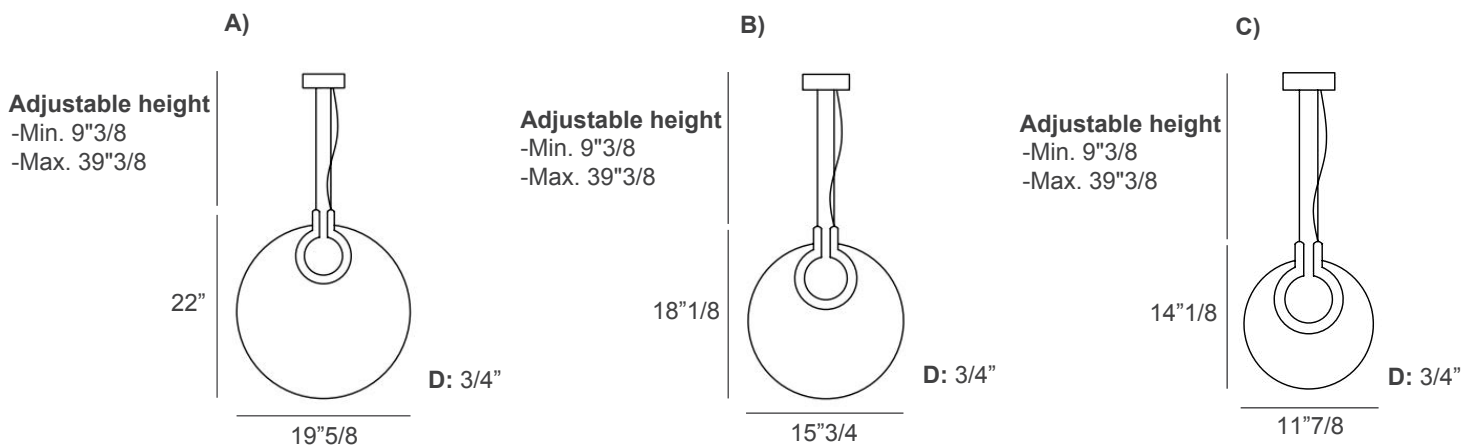
Disk: Glass with hand ground diamond effect.

Corallo

Dimensions

- A) 19"5/8W x 3/4"D x 22"H + 9"3/8MinH to 39"3/8MaxH of Cables and Canopy (Adjustable) - **CORALLO 50**
 B) 15"3/4W x 3/4"D x 18"1/8H + 9"3/8MinH to 39"3/8MaxH of Cables and Canopy (Adjustable) - **CORALLO 40**
 C) 11"7/8W x 3/4"D x 14"1/8H + 9"3/8MinH to 39"3/8MaxH of Cables and Canopy (Adjustable) - **CORALLO 30**

Light source: Strip LED 7,1W - 3000°K - 24 Vdc - SMD 2835 660 lm - life time 50.000 hrs - Dimmable - 0,108 V3 - Energy Efficiency: E



Hook with ceiling cup or metal box and metal cables for suspension (C)

- Min. height 9"3/8
- Max. height 39"3/8

The height of the lamp is calculated by excluding the hook.

