

Corallo

Design: Studio in Project



Description

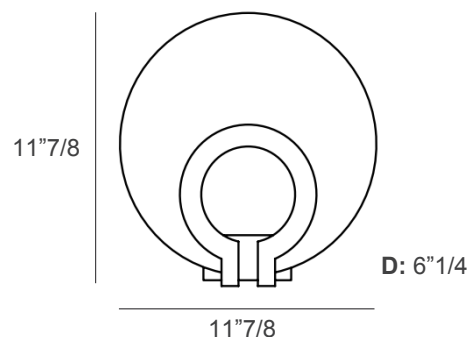
The design takes inspiration from the organic curves of coral islands, capturing both balance and movement in its circular form. The hand-ground finish adds a refined texture, shimmering like sunlight reflected on warm waters. When illuminated, the lamp radiates a soft brilliance, offering not only functional light but also a distinctive decorative presence that enriches any interior with elegance and depth.

Made in Italy.

Light source: Strip LED 7,1W - 3000°K - 24 Vdc - SMD 2835 660 lm - life time 50.000 hrs - Dimmable - 1,061 V3 - Energy Efficiency: E

Dimensions

11"7/8W x 11"7/8H x 6"1/4D



Finishes & Materials

Structure: Handcrafted metal.

Disk: Glass with hand ground diamond effect.