

Cryrock

Design: Michele Losito



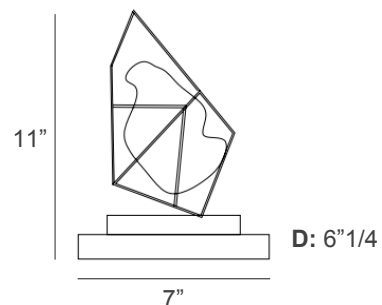
Description

The universe and its energy are endlessly fascinating—mysterious and dark, yet filled with light. Cryrock is a patented collection, crafted from crystal rock in Tuscany. Each rock is carefully shaped to soften its edges and round its form, without undergoing traditional grinding. This process preserves its natural character, resulting in a one-of-a-kind piece that cannot be reproduced in series. An LED filament illuminates the crystal, enhancing its brilliance and revealing its singular beauty. Made in Italy.

Light source: 1 tiny light 2W - 3500°K - 24 Vdc - 300 lm life - time 20.000 hrs - SMD type fil - Dimmable - 0,023 V3 - Energy Efficiency: E

Dimensions

7"W x 6"1/4"D x 11"H



Finishes & Materials

Structure: Handcrafted metal with silver welds.

Rock: Tuscany Crystal.