

Eclissi

Design: Studio in project



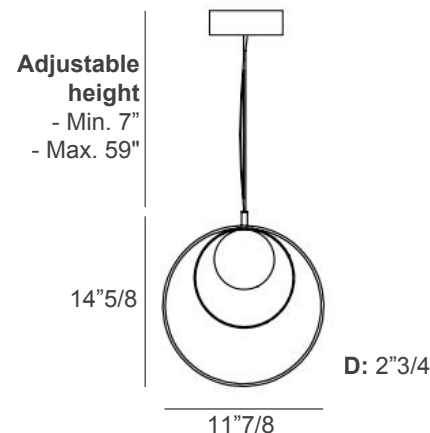
Description

Inspired by the beauty and radiance of the moon, its circular form is composed of overlapping rings that evoke the mesmerizing phases of a lunar eclipse. The design is enriched with glass rings featuring a hand-cut diamond effect. Glass discs reproduce the elegance of precious marbles through advanced digital transfer, creating a luminous interplay of texture and reflection. Made in Italy.

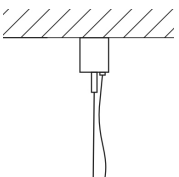
Light source: Strip LED 16W - 3000°K - 24 Vdc - 2400 lm - life time 50.000 hrs - SMD Type 2835 - Dimmable - 0,061 V3 - Energy Efficiency: E

Dimensions

11"7/8W x 2"3/4D x 14"5/8H + 7"MinH to 59"MaxH of Cables and Canopy (Adjustable height)



Hook with ceiling cup or metal box & metal cable (A)



- Min. height 7"
- Max. height 59"

The height of the lamp is calculated by excluding the hook.

Finishes & Materials

Outer Ring & Structure: Metal.

Inner Ring: Glass with hand-cut diamond effect.

Inner Disk: Marble surface with metal edges.