

Eclissi

Design: Studio in project



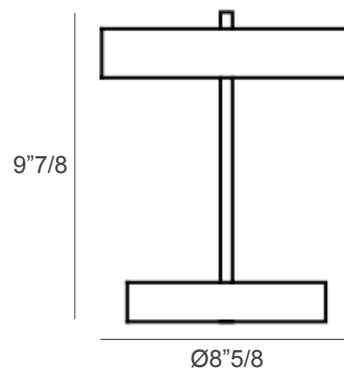
Description

Inspired by the beauty and radiance of the moon, its circular form is composed of overlapping rings that evoke the mesmerizing phases of a lunar eclipse. The design is enriched with glass rings featuring a hand-cut diamond effect. Glass discs reproduce the elegance of precious marbles through advanced digital transfer, creating a luminous interplay of texture and reflection. Made in Italy.

Light source: Strip LED 16W - 3000°K - 24 Vdc - 2400 lm - life time 50.000 hrs - SMD Type 2835 - Dimmable - 0,061 V3 - Energy Efficiency: E

Dimensions

Ø8"5/8 x 9"7/8H



Finishes & Materials

Structure: Metal.

Ring: Glass with hand-cut diamond effect.

Disk: Marble surface with metal edges.