

Le Perle

Design: Alberto Ghirardello



Description

Mounted gracefully on the wall, the borosilicate sphere reflects light with refined subtlety. Whether straight or twisted ribbed, its surface enriches the glow with texture.

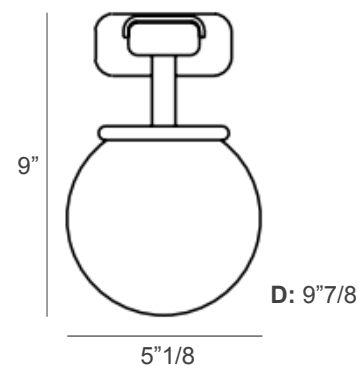
A single pearl from the necklace, transformed into a delicate luminous jewel.

Made in Italy.

Light source: 1 bulb G9 x max 7W - 220 Vdc

Dimensions

5"1/8W x 9"H x 9"7/8D



Finishes & Materials

Sphere: Borosilicate glass with straight ribbed or twisted ribbed texture.

Structure: Metal.