

Moorea

Design: Carlo Colombo



Description

Sectional made with an extremely high standard of materials for outdoor use, to meet different needs and contexts. The entire structure is made of AISI 316L Pewter painted stainless steel, chosen to guarantee a particular resistance to corrosion in different environments, thanks to the composition of the main alloy elements. In order to ensure reliability, the mechanical fasteners between the parts are also made of stainless steel. The structure is enriched with solid Teak wood elements in a natural finish, a wood that is highly esteemed for its technical and aesthetic qualities. The padding, in multi-densities foam, is made of open-cell draining rubber, allowing water and humidity to pass through and significantly reducing drying time. Completely removable upholstery with fabrics as per collection. Covering is recommended in case of rain. Made in Italy.

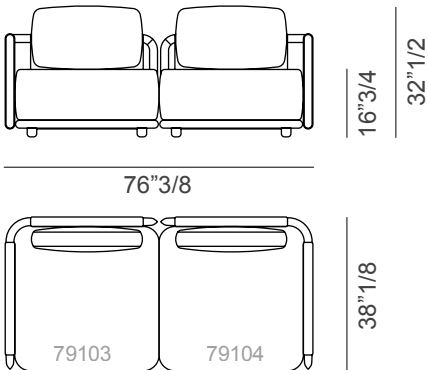


Moorea

Suggested compositions

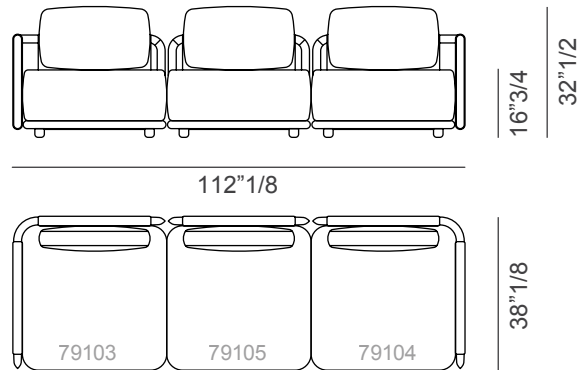
Composition 1

76"3/8W x 38"1/8D x 32"1/2H



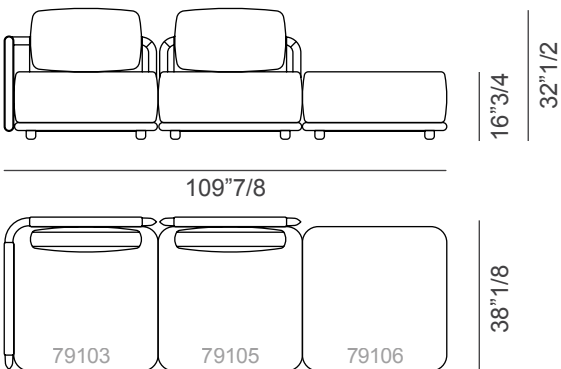
Composition 2

112"1/8W x 38"1/8D x 32"1/2H



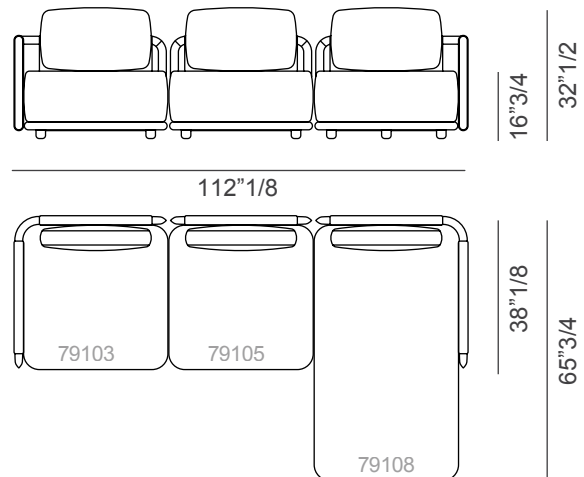
Composition 3

109"7/8W x 38"1/8D x 32"1/2H



Composition 4

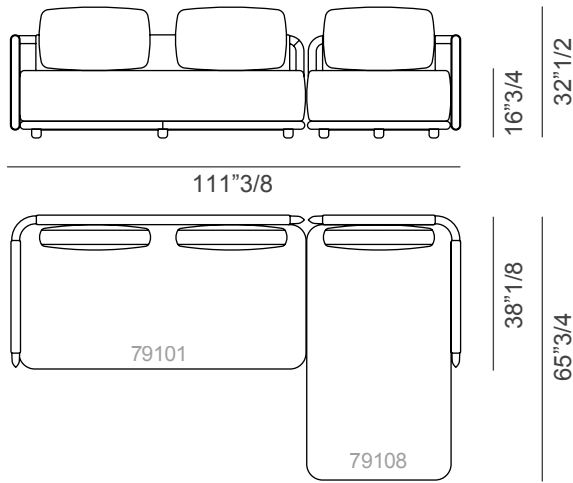
112"1/8W x 65"3/4D x 32"1/2H



Moorea

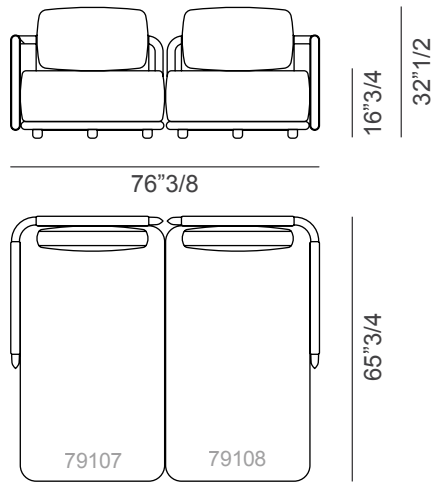
Composition 5

111"3/8W x 65"3/4D x 32"1/2H



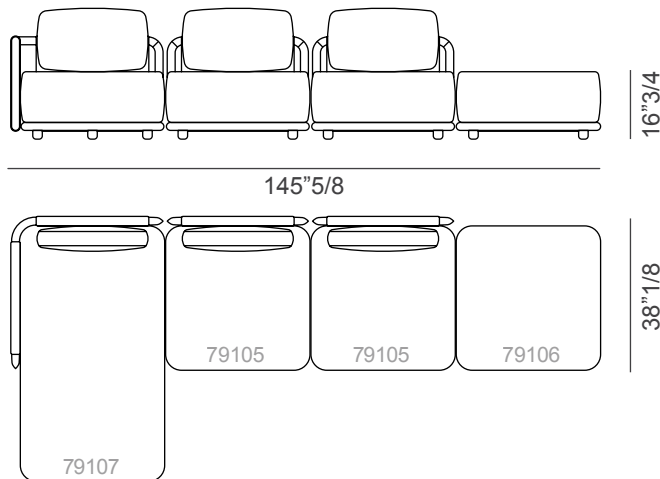
Composition 6

76"3/8W x 65"3/4D x 32"1/2H



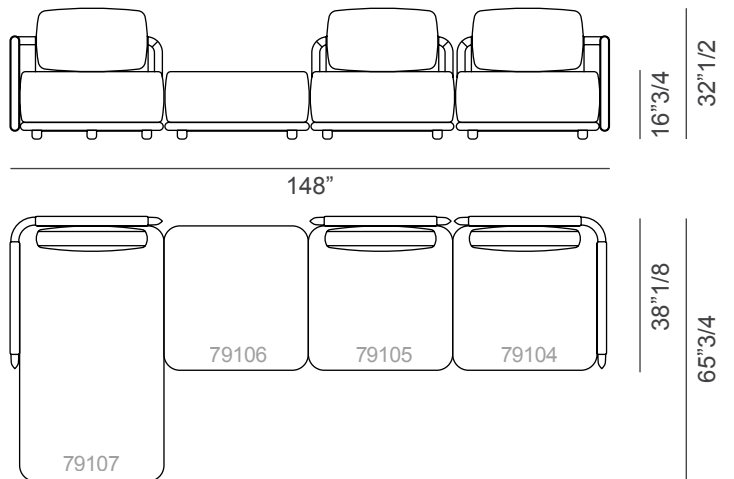
Composition 7

145"5/8W x 65"3/4D x 32"1/2H



Composition 8

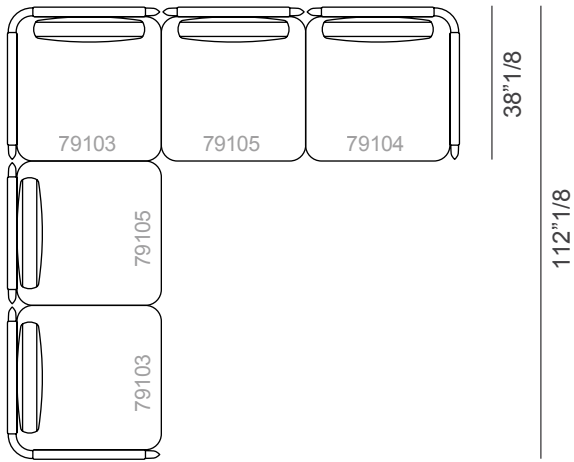
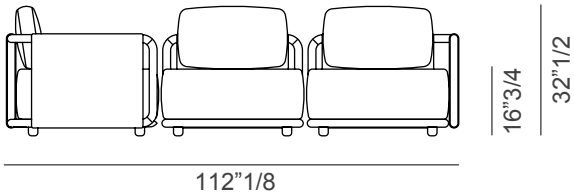
148"W x 65"3/4D x 32"1/2H



Moorea

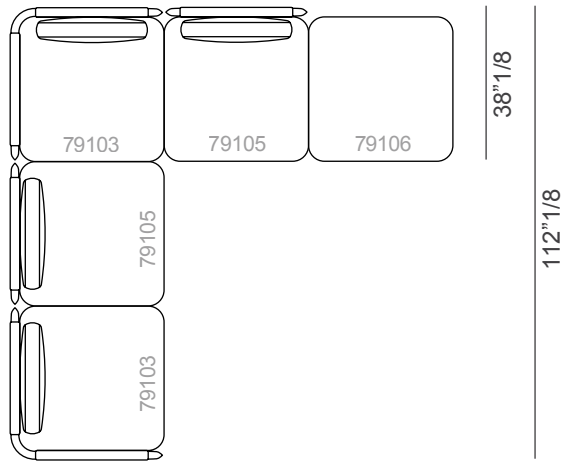
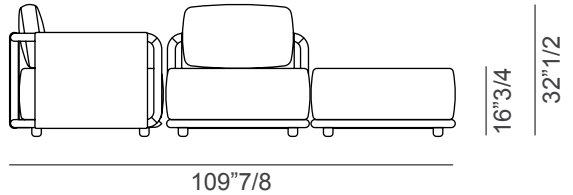
Composition 9

112"1/8W x 112"1/8D x 32"1/2H



Composition 10

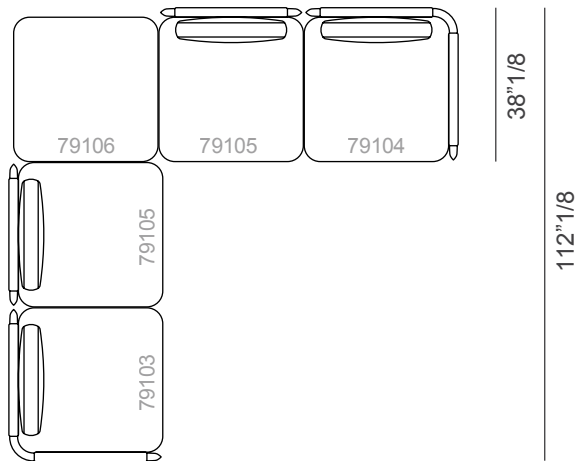
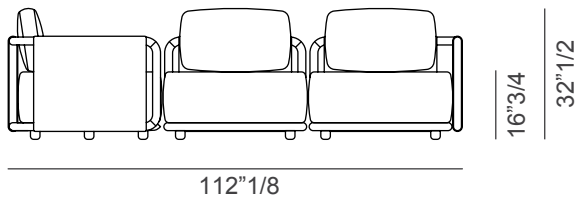
109"7/8W x 112"1/8D x 32"1/2H



Moorea

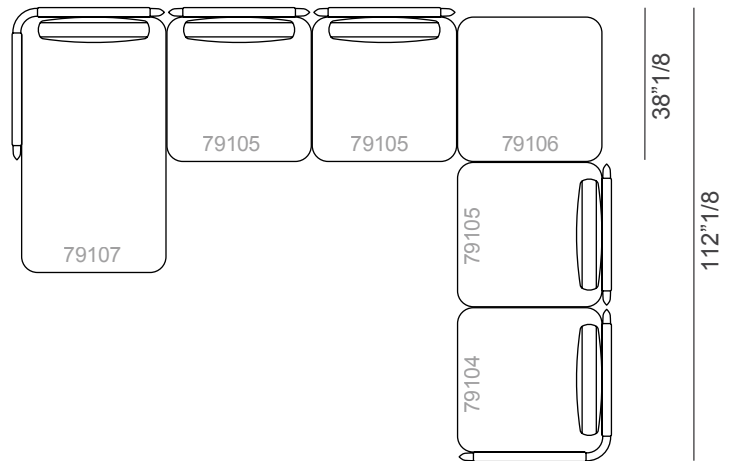
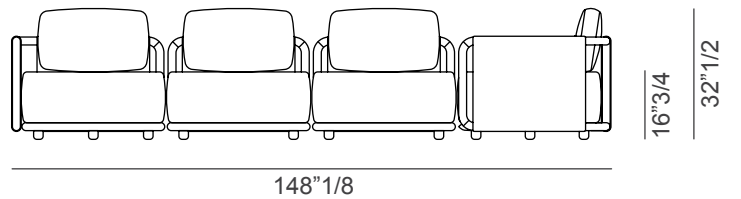
Composition 11

112"1/8W x 112"1/8D x 32"1/2H



Composition 12

148"W x 112"1/8D x 32"1/2H



Optional decorative cushion

