

Neil Leather

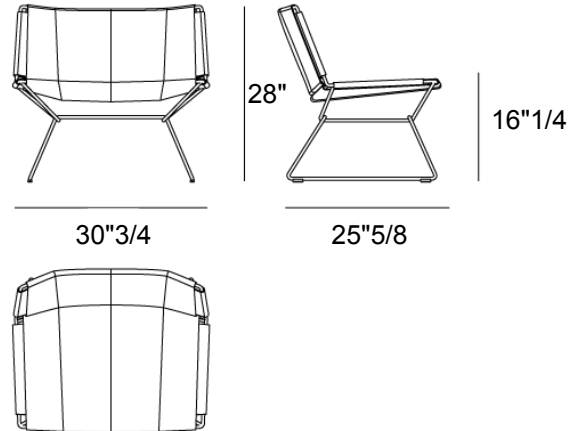
Design: Jean Marie Massaud



Dimensions

30"3/4W x 25"5/8D x 28"H

Seat height: 16"1/4



Description

Elegant and refined, Neil Leather lounge chair is defined by a steel wire frame that outlines a clean, essential structure, enhanced by a full-grain leather cover stretched between the metal profiles to offer unexpected comfort. Available in five shades, the leather is entirely handcrafted: heavy-duty thread stitching, tone-on-tone dyed edges and embossed pressed detailing contribute to a precise and sophisticated aesthetic.

A handcrafted piece, 100% made in Italy, it combines formal rigour with meticulous attention to detail – ideal for contemporary interiors with a refined and discerning character.