

Drop



Description

The Italian Drop Battery Murano Table Lamp is a refined interpretation of portable lighting, combining premium materials with thoughtful functionality. Designed and crafted in Italy, this elegant lamp features two Murano glass spheres paired with sleek metal elements, creating a harmonious balance of form and light.

Finishes & Materials

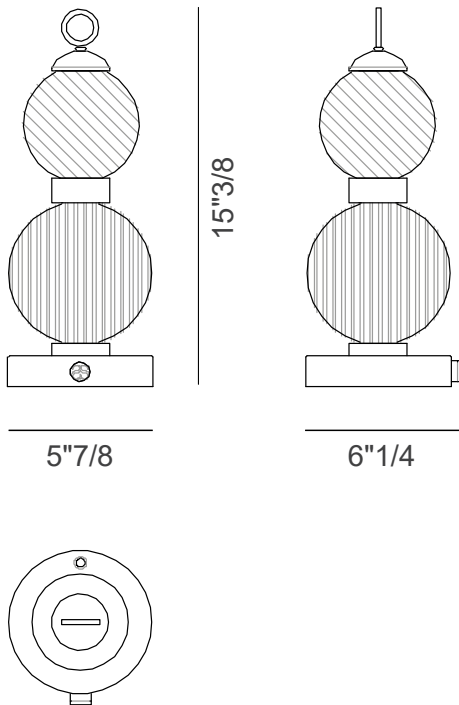
Shade: Murano glass.

Structure: Metal.

Drop

Dimensions

5"7/8W x 6"1/4D x 15"3/8H



TECHNICAL DATA

BULB INFORMATION

5 W LED - 500 lm - 3000 K - IP44

VOLTAGE

2 X 3,7V LITHIUM BATTERY

CERTIFICATION

CE

BATTERY AUTONOMY

5 HOURS

BATTERY CHARGED

100/240 VAC - 50/60 HZ

OUTPUT

5 V · 3000 mA