

Peggy



Description

Simplicity is often the ultimate form of elegance, and the Italian designer Peggy square side and Coffee table beautifully embodies this philosophy.

Finishes & Materials

Top: Mirror, wood, vetrite or vetrite gem glass.

Top edge & feet: Metal or wood.

Legs: Lacquered wood.

Peggy

Dimensions

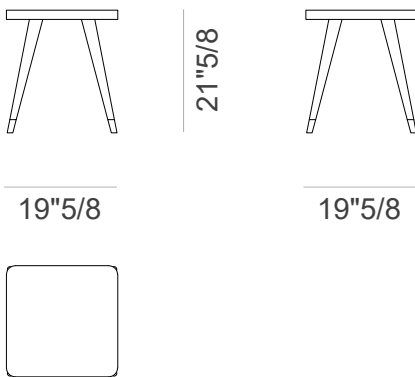
Size A: 19"5/8W x 19"5/8D x 21"5/8H

Size B: 23"5/8W x 23"5/8D x 21"5/8H

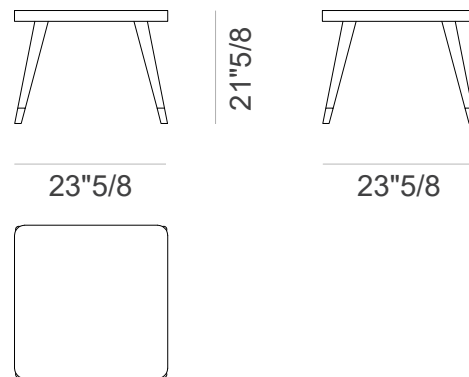
Size C: 27"1/2W x 27"1/2D x 17"3/8H

Size D: 47"1/4W x 47"1/4D x 15"H

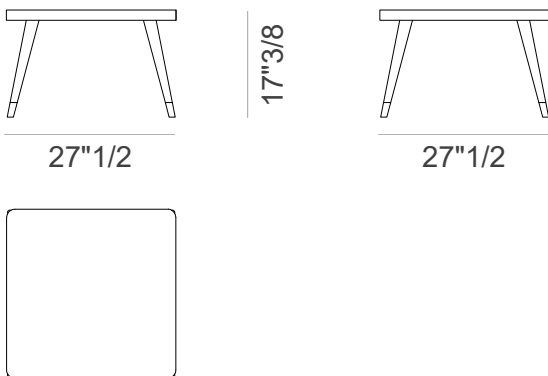
Size A



Size B



Size C



Size D

