

Tyron Wood

Design: Paolo Cattelan



Description

Fixed table that belongs to an exclusive Italian collection of refined dining tables. This furniture piece, comes with a high-end sculptural 'X' metal base in embossed lacquered steel or in brushed lacquered steel finish. Wooden top available in the following versions:

- . **Version "B"**: Barrel top with angled edges.
- . **Version "S"**: Top with irregular solid wood edges.
- . **"Masterwood" version**: Boat shaped in wood made of diagonal wood planks of different sizes. Oblique and rounded edges.

Made in Italy.

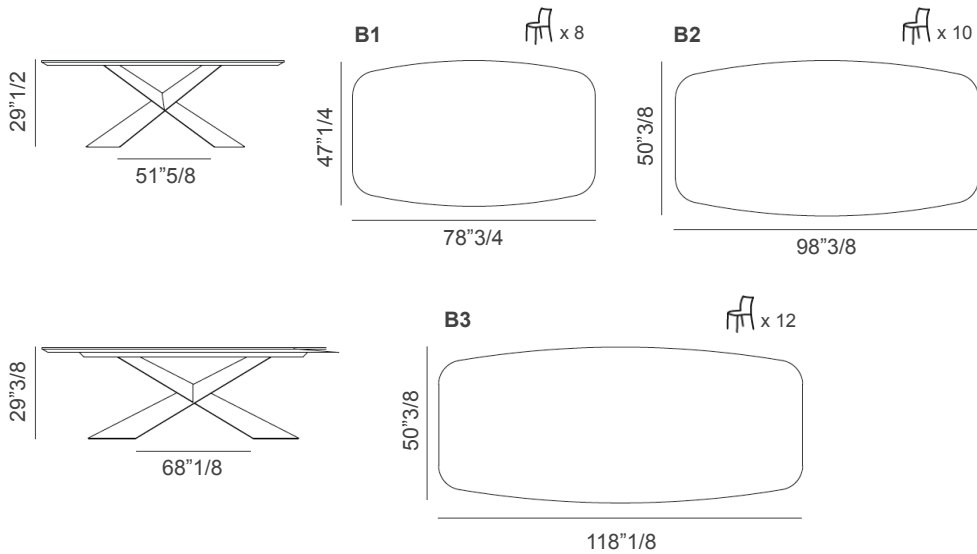
Tyron Wood

Dimensions

Version B1: 78"3/4W x 47"1/4D x 29"1/2H

Version B2: 98"3/8W x 50"3/8D x 29"1/2H

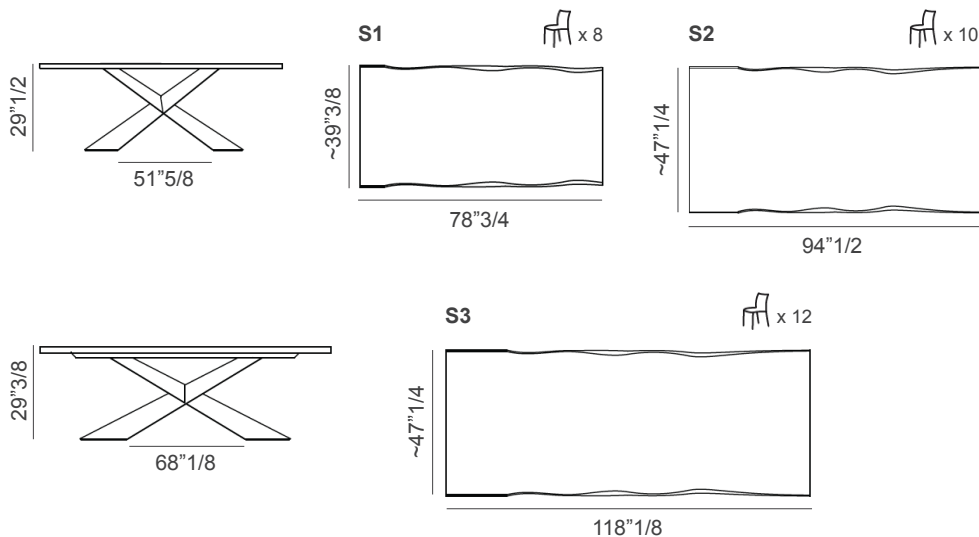
Version B3: 118"1/8W x 50"3/8D x 29"3/8H



Version S1: 78"3/4W x 39"3/8D x 29"1/2H

Version S2: 94"1/2W x 47"1/4D x 29"1/2H

Version S3: 118"1/8W x 47"1/4D x 29"3/8H



Tyron Wood

Masterwood version 1: 98"3/8W x 50"3/8D x 30"H

Masterwood version 2: 118"1/8W x 50"3/8D x 30"H

