

## Moonlight



### *Description*

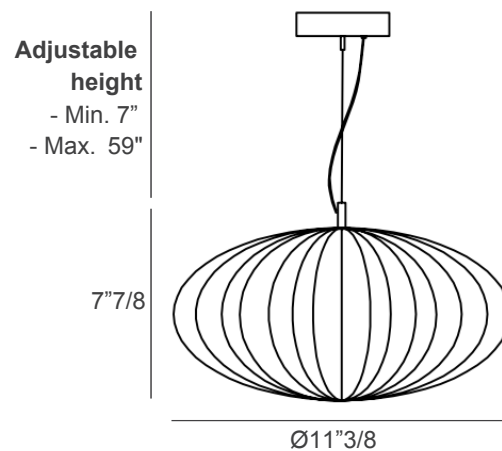
Moonlight Suspension captures the soft, luminous glow of the moon suspended in the night sky. The sphere seems to float effortlessly, bringing both elegance and serenity to the space. The novelty is the vintage finish, a material consisting of a mix of color and powder, perceptible to the touch and visually. Powder deposition creates unique, different products.

Made in Italy.

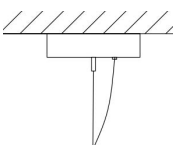
**Light source:** 1 E26 LED x 10W

### *Dimensions*

Ø11"3/8 x 7"7/8H + 7"MinH to 59"MaxH of Cables and Canopy (Adjustable height)



Hook with ceiling cup or metal box & metal cable (A)



- Min. height 7"  
- Max. height 59"

The height of the lamp is calculated by excluding the hook.

### *Finishes & Materials*

**Inner Structure & Details:** Metal.

**Sphere:** Glass made in Tuscany and decorated in Veneto.