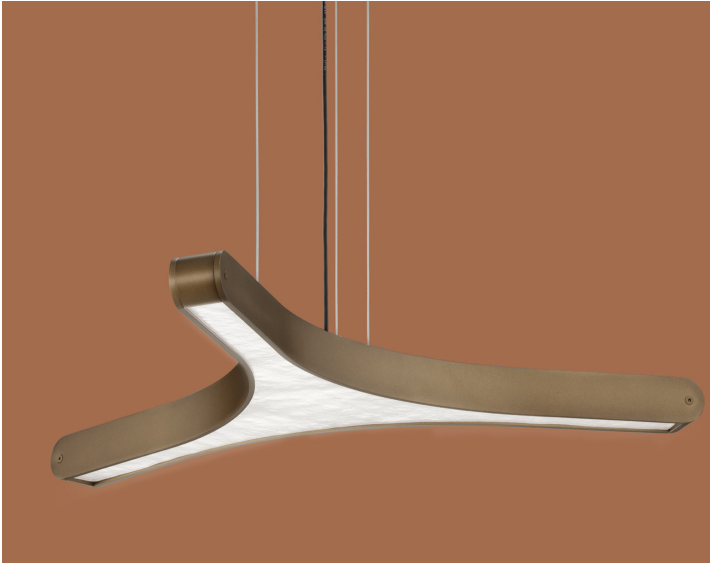


Pegaso

Design: Cristian Visentin



Finishes & Materials

Structure: Turned aluminum hand bent by master craftsmen.

Bushings: Turned and milled aluminum.

Diffuser: Hammered cathedral glass with water-jet cut made in Veneto.

Description

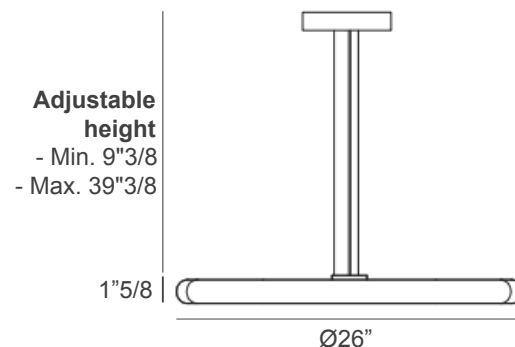
Pegaso draws inspiration from the timeless bond between light and the stars. Since antiquity, constellations have traced mythological figures and celestial images across the night sky—the same sky that lends this lamp its name.

Made in Italy.

Light source: 1 strip LED 40W - 3000°K - 24 Vdc
5.200 lm - Dimmable

Dimensions

Ø26" x 1"5/8H + 9"3/8MinH to 39"3/8MaxH of Cables and Canopy (Adjustable height)



Hook with canopy or metal box & metal cables for suspension (C)

- Min. height 9"3/8

- Max. height 39"3/8

The height of the lamp is calculated by excluding the hook.

