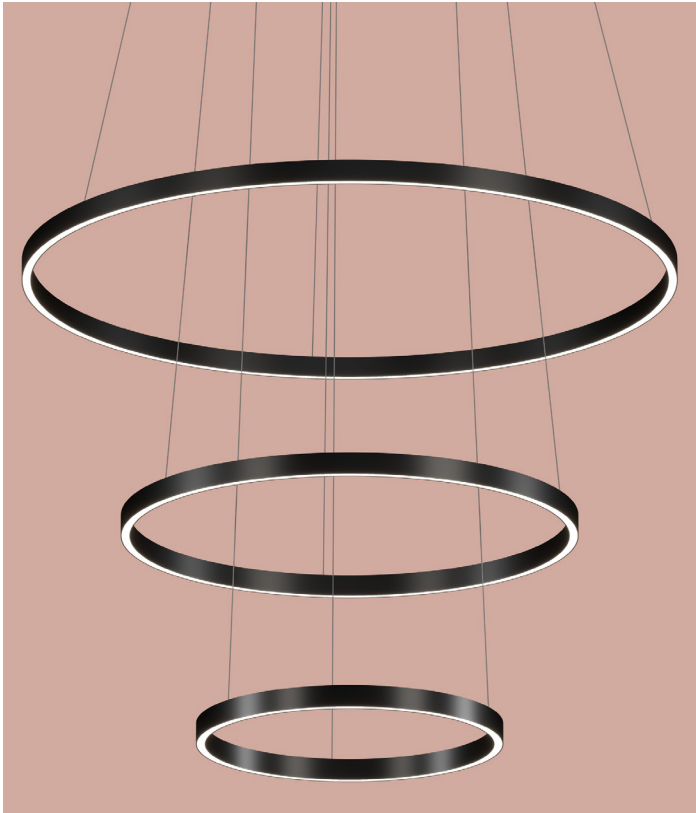


Profile

Design: Studio in Project



Description

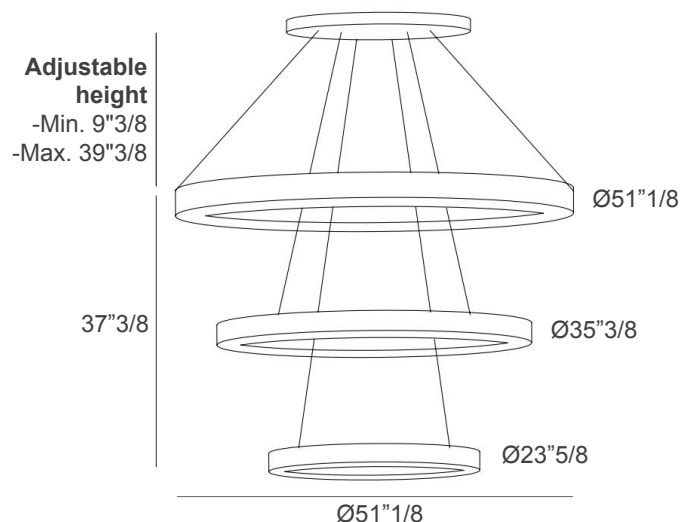
Minimalism elevated into a composition of pure geometry. Three pendants of different diameters— $\text{Ø}51\frac{1}{8}$, $\text{Ø}35\frac{3}{8}$, and $\text{Ø}23\frac{5}{8}$ —suspended in harmonious balance, define the space with light and proportion. Profile in this configuration becomes not just a lamp, but an architectural presence, where the essential line multiplies and transforms into a luminous sculpture.

This Italian luxury suspension lamp can be requested either in the monoluce version, with light directed downwards ('system down'), or in the double-emission version, with light flowing both upwards and downwards ('system up & down').

Made in Italy

Dimensions

$\text{Ø}51\frac{1}{8} \times 37\frac{3}{8}\text{H} + 9\frac{3}{8}\text{MinH}$ to $39\frac{3}{8}\text{MaxH}$ of Cables and Canopy (Adjustable height)

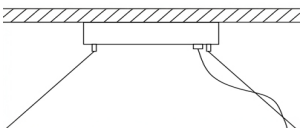


Light source: 1 strip LED 178W - 4000°K - 24 Vdc - SMD 2835 - 13231 lm - life time 50.000 hrs - Dimmable - Energy Efficiency: E

Hook with canopy or metal box & metal cables for suspension (C)

- Min. height $9\frac{3}{8}$ / Max. height $39\frac{3}{8}$

The height of the lamp is calculated by excluding the hook.



Finishes & Materials

Structure: Handmade aluminum.