

Edit

Design: Anderssen & Voll



Description

Like great editors who turn a novel into a masterpiece, Anderssen & Voll have re-edited a classic with a modernist design and created an armchair with lavish elegance and comfort. A versatile presence combines Nordic minimalism with Italian softness while perfectly blending in with spaces in the home, such as kitchens and living rooms, but also with contract spaces, from offices to hotels.

With its sculptural shape, EDIT is easy to disassemble and can be entirely recycled. Its shell combines foam with rigid polyurethane, whereas the fabric upholstery is glue-free. Wooden parts are made of wood from FSC-certified forests. And the idea that brings harmony to each element is Lapalma's respect and love for nature.

The shell comes in rigid polyurethane Baydur®, upholstered with injected fire-retardant polyurethane foam and covered with fabric, eco-leather, or leather without any glue. Available with legs in solid ash, varnished in several finishes, or in steel, either powder-coated or matt chromed. Glides in nylon with felt or plastic, or in polythene.

Made in Italy.

Edit

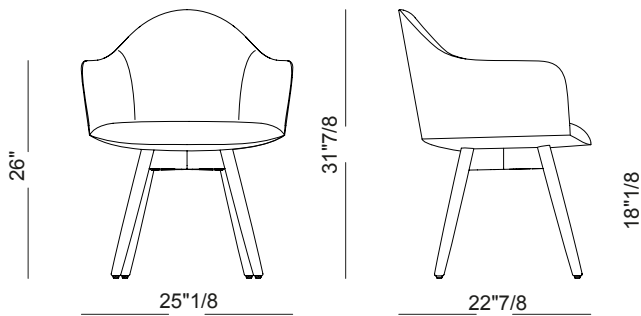
Dimensions

Size: 25"1/8W x 22"7/8D x 31"7/8H

Seat height: 18"1/8

Armrest Height: 26"

Wooden Legs



Metal Legs

