

Nappe

Design: Marco Zito



Description

The Nappe suspension lamp embody the essence of luxury design, offering premium lighting solutions that can be arranged to suit a variety of interior styles. Larger in scale and versatile in layout, these elegant compositions create a striking visual impact, transforming spaces into high-end environments defined by refinement and exclusivity.

Finishes & Materials

Structure: Metal.

Diffuser: Pyrex.

Nappe

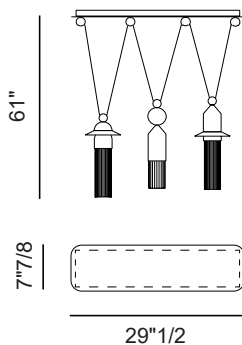
Dimensions

Comp. A: 29"1/2W x 7"7/8D x 61"H (N1+N2+N4)

Comp. B: 49"1/4W x 7"7/8D x 61"H (N1+N2+N4)

Comp. C: 68"7/8W x 7"7/8D x 61"H (N1+N2+N4+N5+N9)

Comp. A



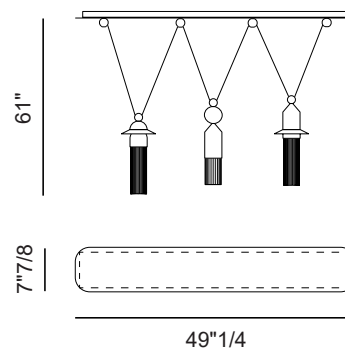
TECHNICAL DATA

3 × 16,2 W CRI>90
3000 K - 2064 NOMINAL LM

3 × 16,2 W CRI>90
2700 K - 1960 NOMINAL LM

DIMMABLE 0-10V

Comp. B



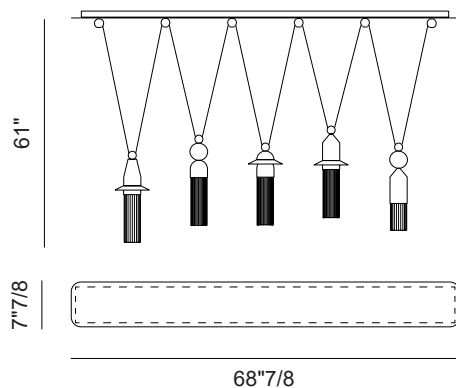
TECHNICAL DATA

3 × 16,2 W CRI>90
3000 K - 2064 NOMINAL LM

3 × 16,2 W CRI>90
2700 K - 1960 NOMINAL LM

DIMMABLE 0-10V

Comp. C



TECHNICAL DATA

5 × 27 W CRI>90
3000 K - 3440 NOMINAL LM

5 × 27 W CRI>90
2700 K - 3268 NOMINAL LM

DIMMABLE 0-10V

Nappe

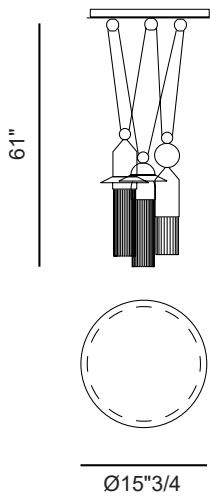
Dimensions

Comp. D: Ø15"3/4 x 61"H (N1+N2+N4)

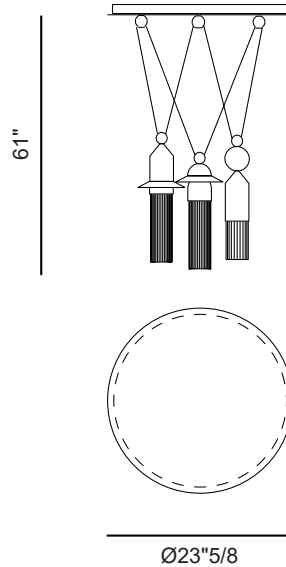
Comp. E: Ø23"5/8 x 61"H (N1+N2+N4)

Comp. F: Ø31"1/2 x 61"H (N1+N2+N4+N5+N9)

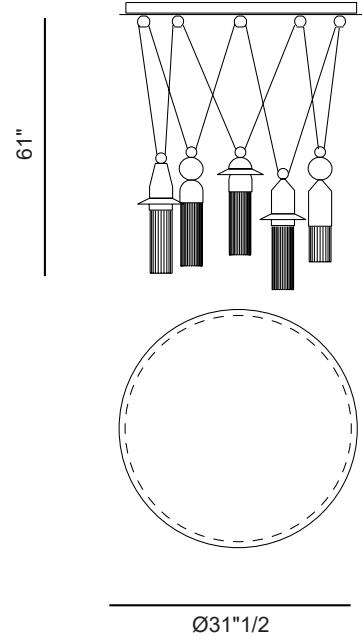
Comp. D



Comp. E



Comp. F



TECHNICAL DATA

3 × 16,2 W CRI>90
3000 K - 2064 NOMINAL LM

3 × 16,2 W CRI>90
2700 K - 1960 NOMINAL LM

DIMMABLE 0-10V

TECHNICAL DATA

3 × 16,2 W CRI>90
3000 K - 2064 NOMINAL LM

3 × 16,2 W CRI>90
2700 K - 1960 NOMINAL LM

DIMMABLE 0-10V

TECHNICAL DATA

5 × 27 W CRI>90
3000 K - 3440 NOMINAL LM

5 × 27 W CRI>90
2700 K - 3268 NOMINAL LM

DIMMABLE 0-10V