

Nappe

Design: Marco Zito



Description

The Nappe Wall Applique is a premium designer lighting fixture that embodies luxury and elegance. Its painted metal frame, combined with metal or Pyrex rods, creates a sophisticated structure that elevates any interior space.

Finishes & Materials

Structure: Metal.

Diffuser: Pyrex.

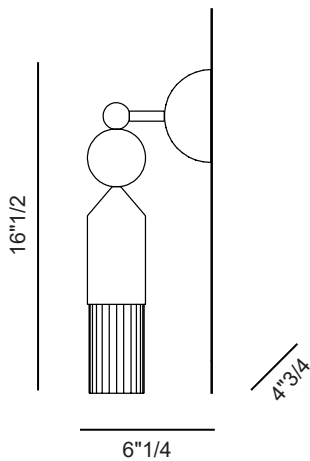
Nappe

Dimensions

Size A: 4"3/4W x 6"1/4D x 16"1/2H

Size B: 5"7/8W x 7"3/4D x 17"H

Size A



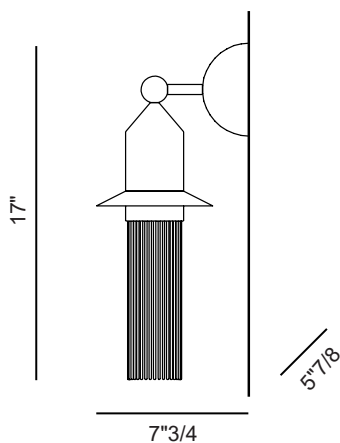
TECHNICAL DATA

5,4 W CRI>90
3000 K - 688 NOMINAL LM

5,4 W CRI>90
2700 K - 653 NOMINAL LM

DIMMABLE TRIAC

Size B



TECHNICAL DATA

5,4 W CRI>90
3000 K - 688 NOMINAL LM

5,4 W CRI>90
2700 K - 653 NOMINAL LM

DIMMABLE TRIAC