
Charlot

Design: CRD Verzelloni



Description

The Italian Charlot Sofa is a premium modular seating system defined by generous curves and soft volumes that embody the essence of luxury and contemporary living. Designed to shape space with relaxed elegance, it transforms the living area into an environment of comfort and sophistication.

Finishes and materials

Cover: Fabric.

Feet: Wood.

Charlot

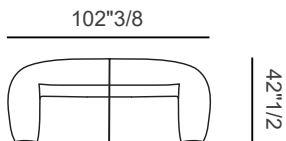
Dimensions

Sofa A: 102"3/8W x 42"1/2D 28"3/4H

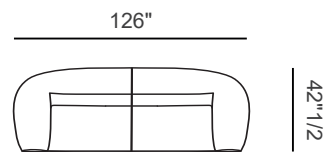
Sofa B: 126"W x 42"1/2D 28"3/4H

Sectional: 156"5/8W x 124"D x 28"3/4H

Sofa A

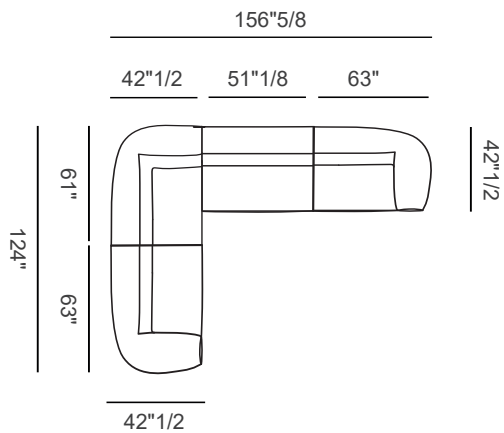


Sofa B



Sectional

SX



DX

