

Marlene

Design: Philippe Starck



Description

Marlene is a refined collection of elegant Italian wall mirrors, distinguished by their sculptural form and artisanal craftsmanship. Each piece is created by bending a single slab of 6 mm extralight glass, which is then expertly molded, polished to a high gloss, and manually silvered to achieve a luxurious and sophisticated finish.

Finishes & Materials

Mirror: Polished and silvered glass.

Marlene

Dimensions

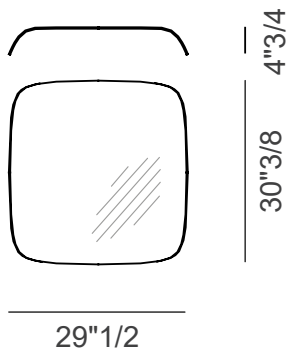
Size A: 29"1/2W x 4"3/4D x 30"3/8H

Size B: 39"3/8W x 6"5/8D x 22"H

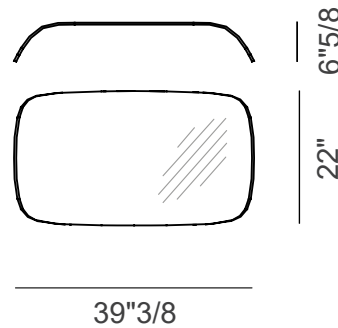
Size C: 37"3/8W x 7"7/8D x 72"7/8H

Size D: 59"W x 13"3/8D x 72"7/8H

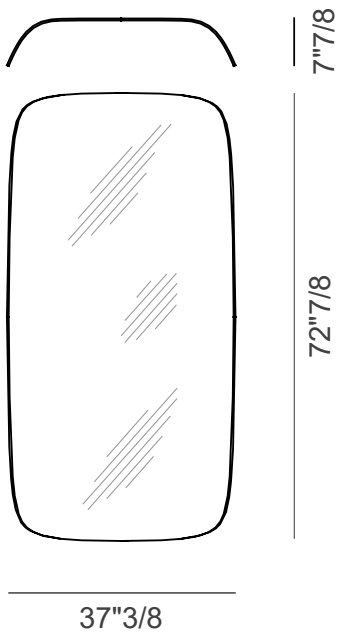
Size A



Size B



Size C



Size D

