

Opalia

Design: Patricia Urquiola



Description

The Italian Opalia collection is a refined series of luxury vases that celebrates the beauty of imperfection through expert Italian craftsmanship. Each vase is distinguished by its two sculptural sides, created by fusing glass scraps with special additives to form irregular, organic masses.

Finishes & Materials

Structure: Glass

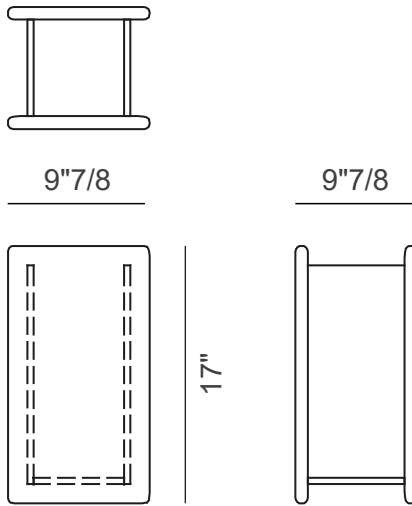
Opalia

Dimensions

Size A: 9"7/8W x 9"7/8D x 17"H

Size B: 13"3/4W x 7"7/8D x 13"3/4H

Size A



Size B

