

Alba

Design: Mariana Pellegrino Soto



Description

The Alba lighting collection originates from a poetic concept: a single drop of water transformed into light. This elemental inspiration evolves into a versatile family of designer lighting fixtures that balance nature's soft, organic shapes with the clean geometry of contemporary design. The finishes enhance its refined elegance, giving Alba a luxurious lighting presence with strong visual impact.

Suspension Alba consists of two versions: the single one, without a structure, is gracefully suspended by a cable, and the double one, where the cable supports a metal structure with two staggered arms, under which light shines from the opaline drops.

Made in Italy.

Finishes & Materials

Diffuser: Polished opaline blown-glass.

Structure: Metal with rectangular profile.

Alba

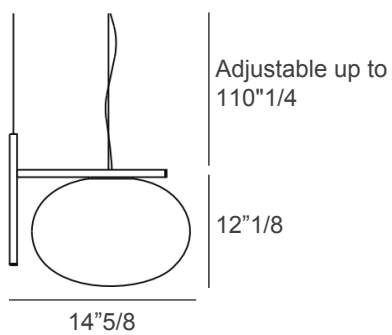
Dimensions

A) 14"5/8W x 12"1/8H + 110"1/4 of Cables (Adjustable height) - **Cod. 466**

B) 24"3/8W x 15"3/8H + 110"1/4 of Cables (Adjustable height) - **Cod. 468**

Light source: 2 x max 75W (E26) - Without bulb

A) Single arm



B) Two arms

