

## G.O.

*Design: Giuseppe Ostuni*



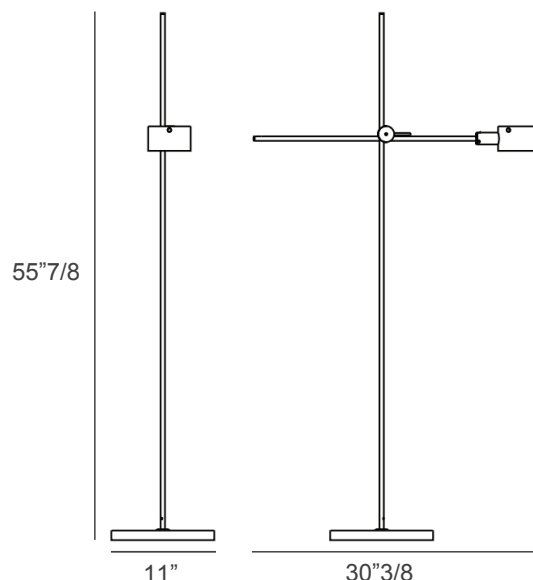
### *Description*

The G.O. lamp is the revival edition of a model designed for Oluce by Giuseppe Ostuni in the 1960s. Despite its vintage origins, the essence of its design feels strikingly contemporary: a vertical shaft supports a horizontal arm from which the lampshade extends. Thanks to its joint system, the arm becomes a sliding element that can be repositioned and oriented with ease, adapting to different lighting needs. This family remains faithful to the style of the original, preserving elements such as the cylindrical lampshade and the play of contrasting materials. Color brings energy and a fresh, modern character to a design that was originally conceived as a single table lamp for both domestic and contract settings. The revival collection further expands the project with the addition of a reading lamp, also featuring the same repositionable and adjustable light beam, reaffirming the timeless versatility of Ostuni's vision. Made in Italy.

### *Dimensions*

30"3/8W x 11"D x 55"7/8H - Cod. 352

**Light source:** 1 x max 10W (E12) - Without bulb



### *Finishes & Materials*

**Structure:** Lacquered metal.