

## Las

*Design: Mist-o*



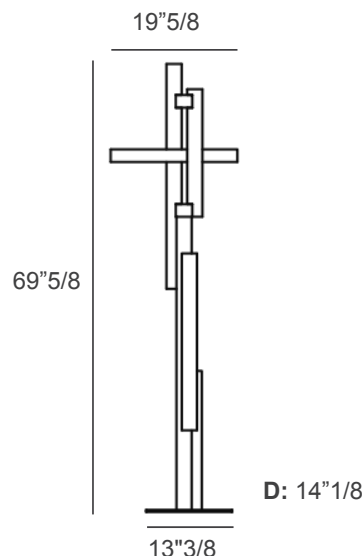
### *Description*

Its modern and graphical aluminum structure, defined by sharp lasered profiles, reflects a precise and thoughtful design developed through horizontal and vertical lines. This designer lighting fixture offers three concealed LED sources, creating a rhythm of light and geometry: two upward-facing sources provide diffused illumination, while one downward-facing source delivers focused light, perfect for reading. LAS embodies both expressive and functional power, fully representing Oluce's philosophy of uniting technological innovation with refined aesthetics. More than a lamp, it is a sculptural presence — a “new classic” that enters the room like a piece of furniture with its own strong personality. Designed by mist-o, LAS is a contemporary Italian lighting design inspired by the great constructions of the early twentieth century. Its name recalls the iconic photograph Lunch Atop a Skyscraper, symbolizing an era poised between tradition and the future — just as this lamp captures timeless elegance while looking forward. Made in Italy.

### *Dimensions*

19"5/8W x 14"1/8D x 69"5/8H - Cod. 376

**Light source:** 3 x max 18W (LED) 3000°K - 3x2300 lm CRI>85  
- With bulb



### *Finishes & Materials*

**Bearing Structure:** Painted aluminum.  
**Reflector:** Metal.