

Charlotte

Design: Shannon Sadler



Description

This Charlotte Bookcase completes the collection with an air of refinement and architectural elegance. Defined by its geometric purity and balanced proportions, it enhances the interplay between wood and glass, revealing a sophisticated dialogue of reflections that highlight the beauty of the objects within. Designed to contain and display with equal grace, this luxury cabinet embodies the essence of Italian design home decor, where functionality meets aesthetic precision. Available with LED lighting and a stemware holder, it transforms into a luxury home accessory ideal for both living and dining spaces, offering a timeless combination of elegance, versatility, and modern craftsmanship.

This luxury home furniture piece features two sizes and versions, size "A" includes wooden drawers, while size "B" features glass and veneered shelves. Both versions include bookcase modules, hole plug kits and cabinets with glass doors, a glass shelf and optional stemware holders and optional LED lighting.

Made in Italy.

Finishes & Materials

Cabinets & Drawers Structure: Veneer.

Cabinets Doors & Shelves: Glass.

Frame & Hole Plugs: Metal.

Charlotte

Dimensions

A) 98"3/8W x 14"5/8D x 91"3/4H

B) 130"W x 14"5/8D x 91"3/4H

Components:

Bookcase central module with crossbars and wall fixing equipment (Qty. 1 for both sizes)

35"3/8W x 14"5/8D x 91"3/4H - Cod. 16.60

Bookcase additional module with crossbars and wall fixing equipment (Qty. 2 for size "A" and 3 for size "B")

31"1/2W x 14"5/8D x 91"3/4H - Cod. 16.65

Kit consisting of 4 hole plugs to be used on a structure where there is no shelf (Qty. 6 for size "A" and 4 for size "B")

Ø3/8" x 3/8"H - Cod. 16.81

Cabinet with glass doors and 1 transparent glass shelf with metal hooks, with optional suspended stemware holder in solid lacquered wood and optional micro USB rechargeable inside lighting (Qty. 3 for size "A" and 2 for size "B")

30"3/8W x 13"3/4D x 31"7/8H - Cod. 16.87

Wooden drawer with metal frame (Qty. 3 for size "A" only)

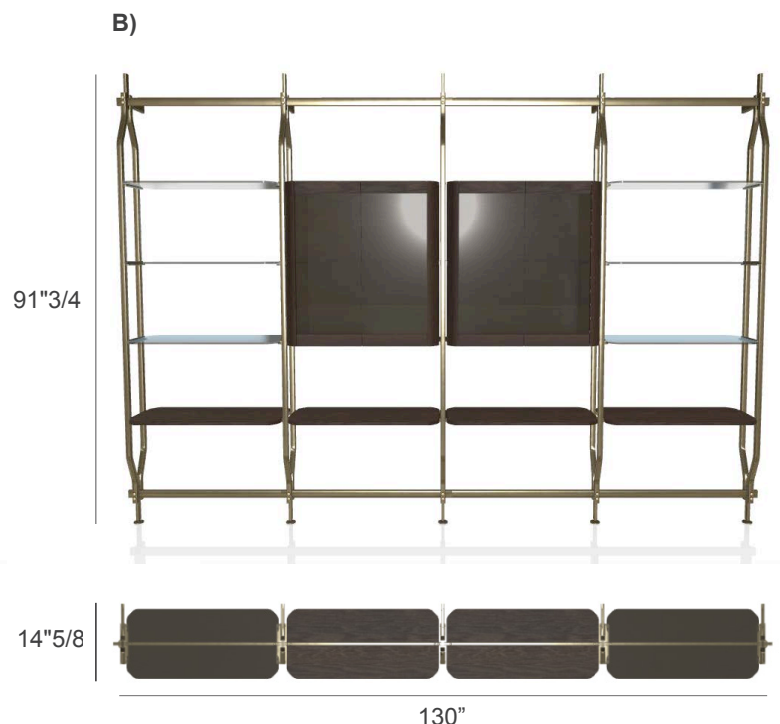
30"W x 13"3/8D x 5"7/8H - Cod. 16.85

Standard glass shelf with metal frame (Qty. 6 for size "B" only)

30"W x 13"3/8D x 3/8"H - Cod. 16.76

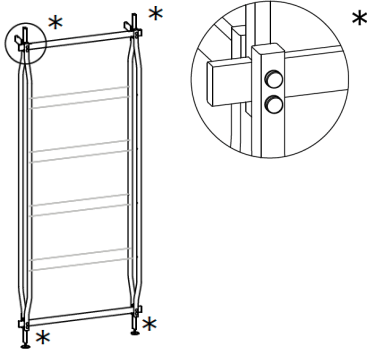
Standard veneered shelf with metal frame (Qty. 4 for size "B" only)

30"W x 13"3/8D x 3/4"H - Cod. 16.78

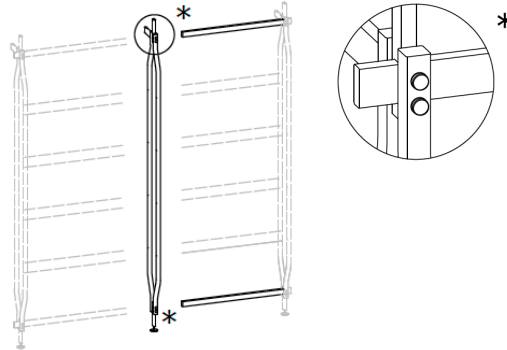


Charlotte

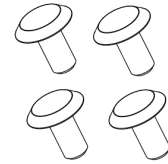
Bookcase central module



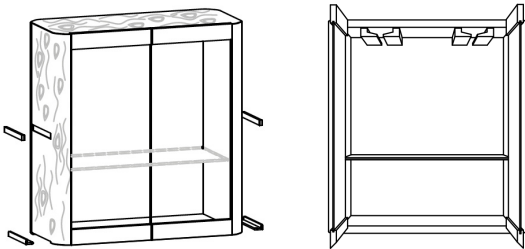
Bookcase additional module



Kit consisting of 4 hole plugs



Cabinet with glass doors and 1 glass shelf



Optional suspended stemware holder

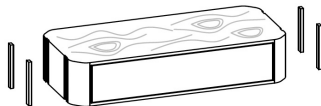


Optional micro USB rechargeable inside lighting



Cabinet detail

Wooden drawer with metal frame



Standard glass shelf with metal frame



Standard veneered shelf with metal frame

