

Comet

Design: Studio F+B Design



Description

This luxury suspension lamp is available in two elegant versions — featuring one or two refined semicircles. Its sculptural silhouette embodies the essence of contemporary lighting design, where form and illumination merge in perfect harmony. The light gently follows and enhances its sinuous lines, producing soft, floating, and stenographic effects that elevate any environment.

Crafted with precision and artistic sensibility, this piece is a statement of luxury designer lighting, ideal for modern and sophisticated interiors seeking high end light fixtures that combine innovation, beauty, and timeless allure. Made in Italy.

Finishes & Materials

Frame: Metal.

Comet

Dimensions

A) $\text{Ø}31\frac{1}{2}$ x $1\frac{1}{8}$ H + $149\frac{5}{8}$ MaxH of Cable (Adjustable height)

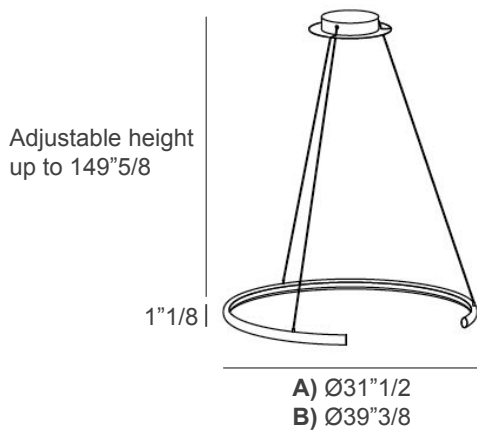
1 Semi-Circle: LED 29W - 2300 Lm - 3000K included - Cod. 56.38

B) $\text{Ø}39\frac{3}{8}$ x $1\frac{1}{8}$ H + $149\frac{5}{8}$ MaxH of Cable (Adjustable height)

1 Semi-Circle: LED 38W - 3100 Lm - 3000K included - Cod. 56.39

2 Semi-Circles: LED 67W (29W + 38W) - 5400 lm (2300 lm + 3100 lm) - 3000K included - Cod. 56.40

1 Semi-Circle



2 Semi-Circles

