

Daya

Design: Marco Corti



Description

Daya is an enveloping lounge chair that embodies comfort and relaxation, bringing a sophisticated yet welcoming atmosphere to any space. Its soft, padded structure provides a warm sense of coziness while maintaining a refined aesthetic. The fully removable upholstery ensures practicality and ease of maintenance.

This elegant lounge chair offers versatile customization, allowing for different materials to be used on the external shell and internal cover, creating a unique visual and tactile contrast. For enhanced comfort, Daya can be paired with an optional footrest and an optional headrest, making it the perfect choice for both residential and contract environments seeking timeless elegance and exceptional comfort. Made in Italy.

Dimensions

31"1/2W x 31"1/2D x 35"3/8H - **Seat height:** 18"1/8 - Cod. DAY000102

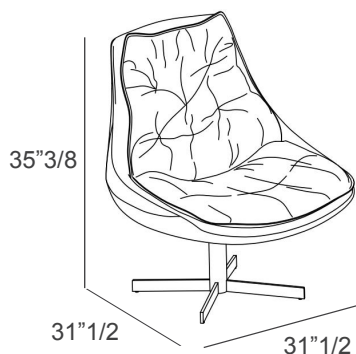
Optional headrest: 14"5/8W x 4"D x 7"7/8H - Cod. DAYPG0001

Optional footrest: 24"3/8W x 16"1/8D x 18"1/8H - Cod. DAY005505

Finishes & Materials

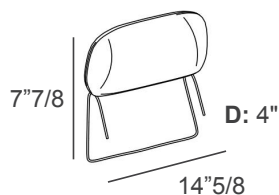
Frame: Metal.

Upholstery: Eco-Leather, Fabric, Velvet and Leather.

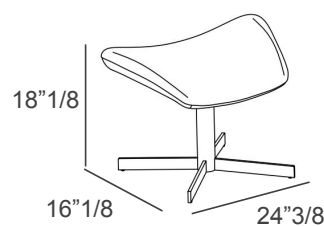


18"1/8

Optional headrest



Optional footrest



Color reference



INTERNAL COVER
SHELL