

Flexus

Design: Studio Contromano



Description

Flexus is an elegant collection of side tables available in square or round versions, designed to combine refined aesthetics and functional versatility. Featuring a lacquered metal structure and a luxurious leather top, each piece stands out for its sophisticated raised-edge detail, which enhances its sculptural presence. The refined stitching — whether matching or contrasting — highlights the craftsmanship and attention to detail that define the collection. Perfect for both residential and contract environments, Flexus adds a touch of Italian elegance to any living space, effortlessly blending contemporary design with timeless sophistication. Made in Italy.

Finishes & Materials

Top: Leather.
Frame: Metal.

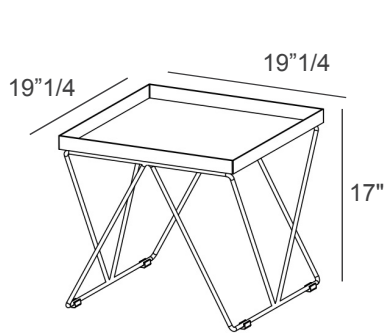
Flexus

Dimensions

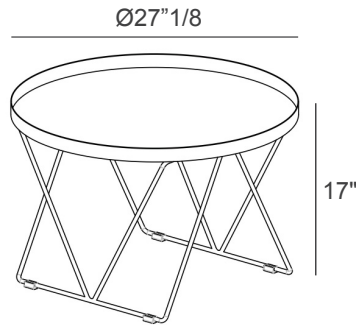
Square: 19"1/4W x 19"1/4D x 17"H - Cod. 07.77

Round A: Ø27"1/8 x 17"H - Cod. 07.79

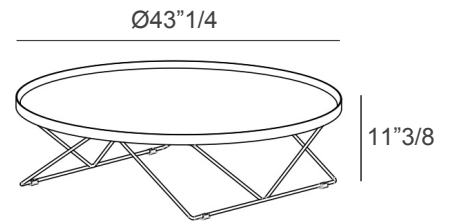
Round B: Ø43"1/4 x 11"3/8H - Cod. 07.80



Square



Round A



Round B