

## Galaxy

*Design: Pucci & Dondoli*



### Description

Galaxy embodies aesthetics, strength, and functionality in perfect harmony. Its distinctive graphic backrest design infuses the chair with a lively and stylish character, turning it into a statement piece that stands out in any setting. Stackable in both versions, with or without armrests, Galaxy combines comfort, lightness, and refined versatility. Available in a minimalist naked version or with an optional natural wool pad, this designer chair is ideal for both indoor and outdoor use. A true example of contemporary luxury furniture, Galaxy merges functional beauty with a modern and sophisticated aesthetic. Made in Italy.

### Dimensions

**Without armrests:** 18"7/8W x 22"D x 33"H - Cod. 34.59

**With armrests:** 22"3/8W x 22"D x 33"H - Cod. 34.60

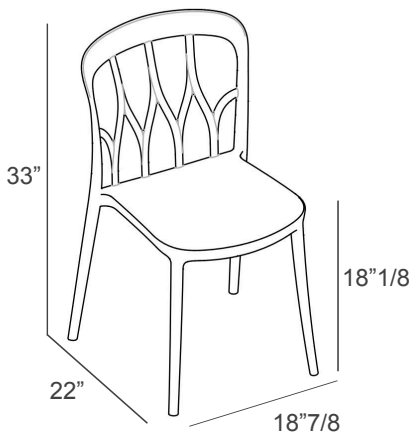
**Seat height:** 18"1/8

**Armrests height:** 26"3/8

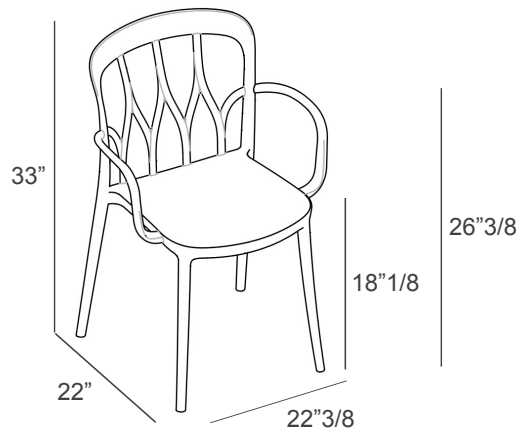
### Finishes & Materials

**Structure:** Polypropylene and recyclable glass fiber.

Without armrests



With armrests



**Please note:** Only available in even-numbered packs (2, 4, 6, 8, 10 & 12).

