

Impero

Design: Lorenzo Remedi



Description

Impero is a mirror that bridges eras, merging contemporary sophistication with a subtle retro allure. Available in both square and rectangular versions, it stands out for its unique dual composition — one section in flawlessly smooth mirror glass, the other in ribbed glass that evokes the timeless elegance of vintage craftsmanship.

By combining multiple mirrors and rotating them freely on any of the four sides, dynamic and artistic compositions can be created, turning Impero into a decorative statement piece adaptable to any interior.

The ribbed surface diffuses light softly, adding depth, warmth, and visual harmony to the environment.

A perfect example of a luxury home accessory, Impero blends innovation, artistry, and nostalgia, making it a refined addition to modern and classic living spaces alike.

Made in Italy.

Finishes & Materials

Surface: Ribbed and mirrored glass.

Frame: Lacquered Steel.

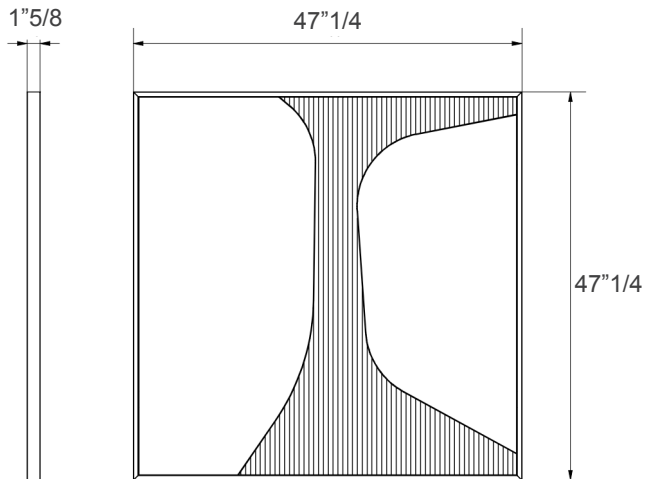
Impero

Dimensions

Square: 47"1/4W x 47"1/4H x 1"5/8D - Cod. 09.55

Rectangular: 33"1/2W x 74"3/4H x 1"5/8D - Cod. 09.56

Square



Rectangular

