

## Kelly

*Design: Marco Corti*



### *Description*

Kelly combines timeless elegance with a contemporary spirit, revisiting classic lines with a refined modern touch. Subtle details enhance its sculptural silhouette, while the sleek accents highlight the chair's harmonious proportions.

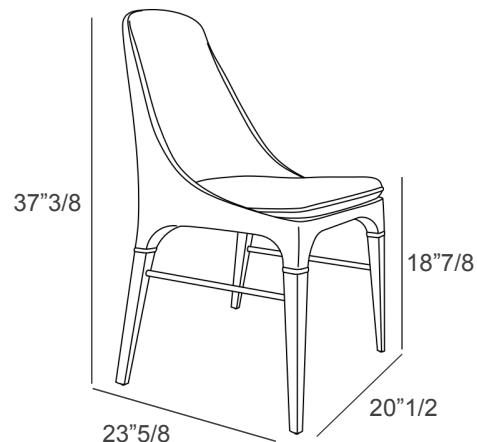
Available with the seat in matching or contrasting piping, and with an optional quilted back design, Kelly exudes sophistication and versatility, making it a perfect addition to both residential and contract interiors.

Made in Italy.

### *Dimensions*

20"1/2W x 23"5/8D x 37"3/8H - Cod. 34.03

**Seat height:** 18"7/8



### *Finishes & Materials*

**Cover:** Eco-Leather, Fabric, Velvet and Leather.

**Legs:** Solid wood.

**Frame Details:** Metal.