

# Lady

*Design: Marco Corti*



## *Description*

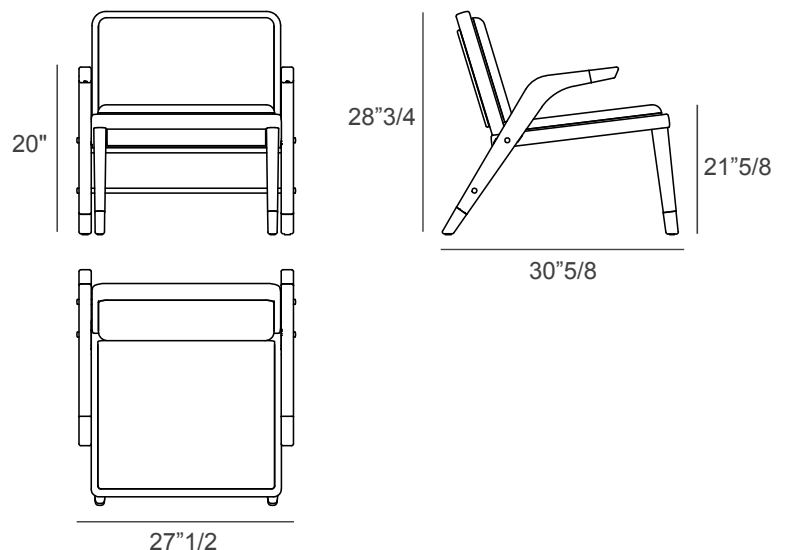
Lady is an elegant and compact lounge, designed to enrich any space devoted to comfort and relaxation. Its refined aesthetic is defined by a harmonious balance between the wooden structure and the upholstered elements, creating a timeless piece that combines practical simplicity with sophisticated style. Every detail is carefully considered: the soft kidney cushion ensures superior comfort, while the armrests, adorned with metal end details that mirror the design of the feet, add a distinctive decorative touch of elegance. Perfect for living areas, lounges, or hospitality spaces, Lady offers a seamless blend of functionality and beauty, embodying the essence of contemporary Italian design. Made in Italy.

## *Dimensions*

27"1/2W x 30"5/8D x 28"3/4H- Cod. 40.77

**Seat height:** 21"5/8

**Armrests:** 20"



## *Finishes & Materials*

**Frame:** Solid wood.

**Feet & Armrests Details:** Metal.

**Removable Cover:** Eco-Leather, Fabric, Velvet & Leather.