

## Papillon

*Design: Studio F+B Design*



### *Description*

Papillon embodies the essence of luxury designer lighting, combining artistic minimalism with sculptural elegance. Its delicate metal structure embraces the illuminating core, creating mesmerizing reflections that give the piece a jewel-like allure suspended in the air. The two concentric and rotating rings can be freely adjusted, allowing each user to personalize both the composition and the light diffusion according to their space and mood. Papillon stands as a refined statement of contemporary lighting design, where innovation and poetry merge to define the spirit of luxury lighting fixtures crafted for sophisticated interiors. Made in Italy.

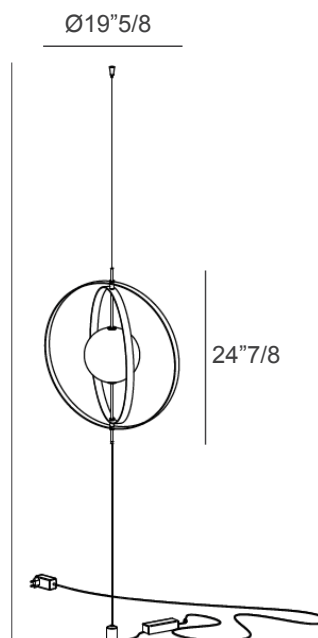
**Light source:** LED 12W - 900 Lm - 3000K included - AC power supply with interchangeable plug

### *Dimensions*

Ø19"5/8 x 24"7/8H + 216"1/2MaxH of Cable (Adjustable height)  
- Cod. 56.55



Adjustable height  
up to 216"1/2



### *Finishes & Materials*

**Sphere:** Sandblasted borosilicate glass.

**Frame:** Metal.