

Penelope

Design: Marco Corti



Description

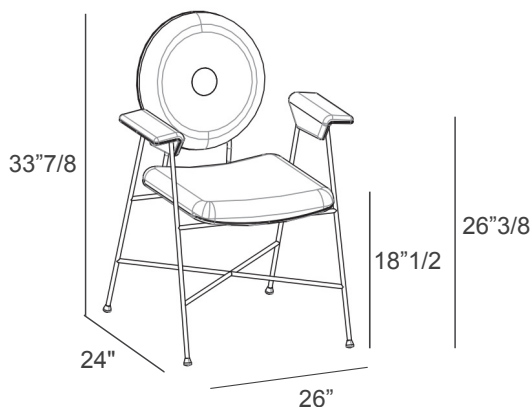
Penelope features a unique and contemporary design, perfectly balancing elegance and versatility. This chair offers exceptional customization options thanks to a wide selection of colors and fabric combinations. The cover can be crafted entirely from a single-color for a uniform aesthetic, or configured in a bi-color version — with the internal cover in one color, and the backrest button, the armrests and the external cover in another. Also available with matching or contrasting piping. Made in Italy.

Dimensions

26"W x 24"D x 33"7/8H - Cod. 34.05

Seat height: 18"1/2

Armrests height: 26"3/8

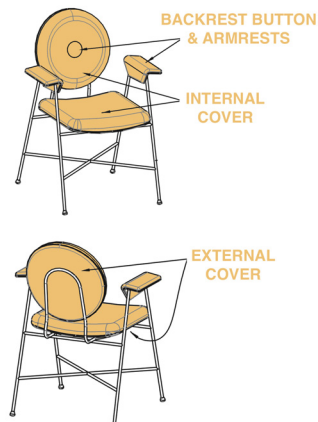


Finishes & Materials

Cover: Eco-Leather, Fabric, Velvet and Leather.

Frame: Metal.

Single-color



Bi-Color

