

Penelope

Design: Marco Corti



Description

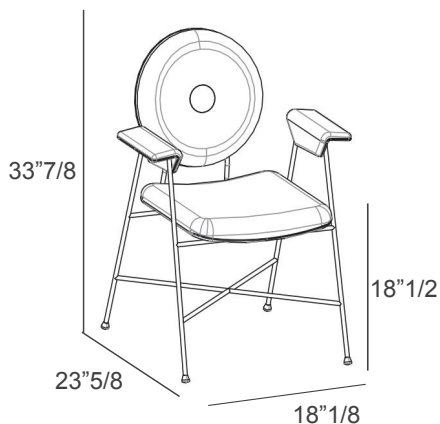
Penelope features a unique and contemporary design, perfectly balancing elegance and versatility. This chair offers exceptional customization options thanks to a wide selection of colors and fabric combinations. The cover can be crafted entirely from a single-color for a uniform aesthetic, or configured in a bi-color version — with the internal cover in one material, and the backrest button and external cover in another. Also available with matching or contrasting piping. Made in Italy.

Dimensions

26"W x 24"D x 33"7/8H - Cod. 34.05

Seat height: 18"1/2

Armrests height: 26"3/8

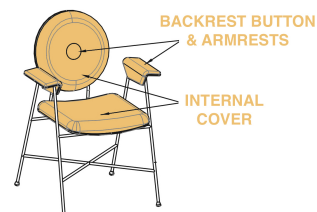


Finishes & Materials

Cover: Eco-Leather, Fabric, Velvet and Leather.

Frame: Metal.

Single-color



Bi-Color

