

Puffoso

Design: Bernhardt & Vella



Description

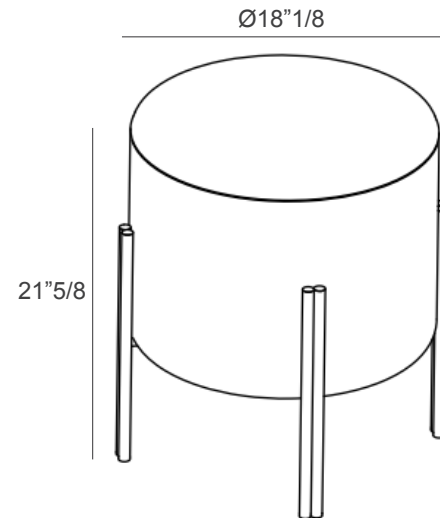
Puffoso is an ottoman that perfectly balances style, comfort, and versatility. Its soft, ergonomic shapes make it ideal as an extra seat, footrest, or a refined decorative accent within any living space.

With its inviting design and contemporary aesthetic, Puffoso adds a touch of informal elegance while ensuring everyday functionality.

Made in Italy.

Dimensions

Ø18"1/8 x 21"5/8H - Cod. PFF000101



Finishes & Materials

Cover: Eco-Leather, Fabric, Velvet and Leather.
Frame: Metal.