

Sveva

Design: Toshiyuki Yoshino



Description

Sveva is synonymous with style, sophistication, and refinement, defined by its enveloping yet structured silhouette and elegant composition. Its distinctive design embodies a perfect balance between aesthetic precision and tailored craftsmanship, resulting in a chair that exudes both luxury and personality. The elegant frame and the possibility to mix and match fine materials allow for endless customization options, enabling you to create a unique and exclusive Sveva model that reflects your individual taste. Made in Italy.

Dimensions

Without armrests: 23"5/8W x 23"5/8D x 31"7/8H - Cod. 34.06

With armrests: 24"3/8W x 24"D x 31"7/8H - Cod. 34.06

Seat height: 18"1/2

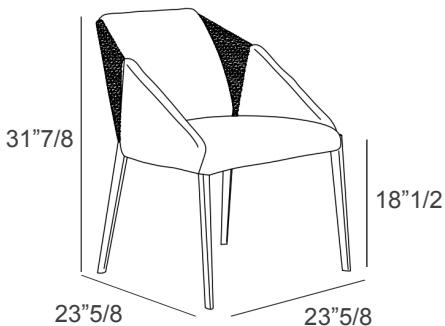
Armrests height: 27"1/8

Finishes & Materials

Frame: Solid wood stained.

Upholstery: Eco-Leather, Fabric, Velvet and Leather.

Without armrests



With armrests

