

## Ypsilon BR



### *Description*

Ypsilon BR boasts a strong personality, with its overall structure made from massive wood and a solid wood framework. The chair is upholstered with genuine leather from the “Mascheroni Leather Colour System”, and the padding includes elastic belts and crushproof foam rubber. It offers full functionality: rotating, fitted with a tilt mechanism, and adjustable via gas height adjustment. The five-star base is equipped with nylon castors, suitable for all kinds of flooring. This Italian luxury furniture is certified “Mascheroni srl Made in Italy”.



## Ypsilon BR

### Dimensions

**A:** 26"W x 27"1/2D x 39" - 41"3/4H

Seat height: 18"7/8 - 21"5/8

Seat depth: 19"5/8

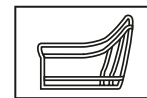
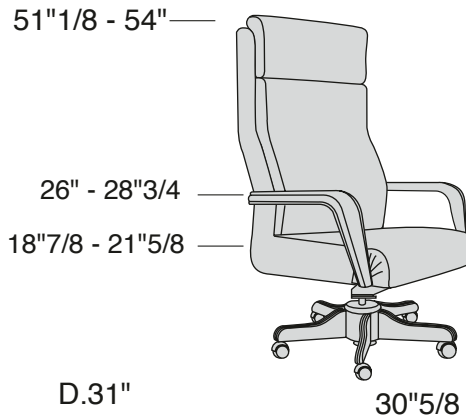
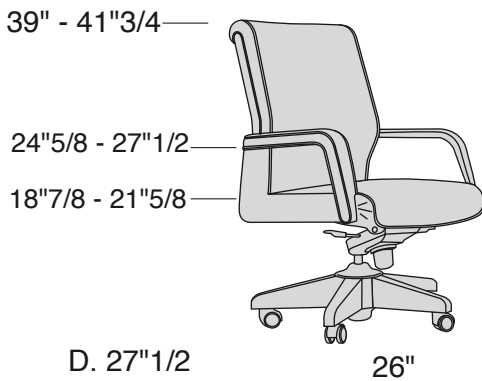
Armrest height: 24"5/8 - 27"1/2

**B:** 30"5/8W x 31"D x 51"1/8 - 54"H

Seat height: 18"7/8 - 21"5/8

Seat depth: 20"1/2

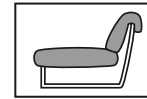
Armrest height: 26" - 28"3/4



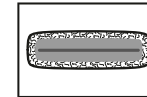
- Solid wood



- Elastic Belts



- Non-deformable foam rubber upholsteries with Dacron covering.



- Cushions foam rubber non-deformable with Dacron covering. Possibilities: soft - medium - hard \*only high back model



- Revolving



- Height adjustment



- Position adjustment