

## Ypsilon



### *Description*

Ypsilon is a directional leather armchair designed with a solid wooden structure and non-deformable padding. The upholstery, including the fully covered armrests, provides a truly unified, elegant look. The chair is rotating, height and position adjustable, and features a tilt mechanism. The five-star base is designed especially for high-end conference rooms. This piece of Italian luxury furniture is certified "Mascheroni srl Made in Italy".

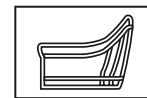
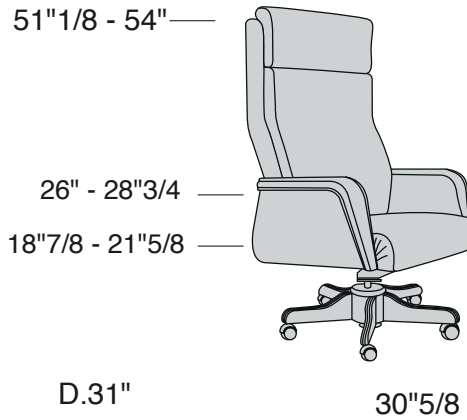
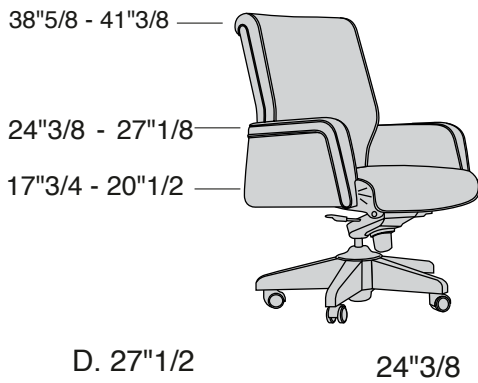


## Ypsilon

### Dimensions

**A:** 24"3/8W x 27"1/2D x 38"5/8 - 41"3/8H  
 Seat height: 18"7/8 - 21"5/8  
 Seat depth: 19"5/8  
 Armrest height: 24"5/8 - 27"1/2

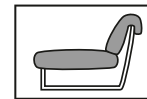
**B:** 30"5/8W x 31"D x 51"1/8 - 54"H  
 Seat height: 18"7/8 - 21"5/8  
 Seat depth: 20"1/2  
 Armrest height: 26" - 28"3/4



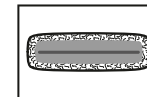
- Solid wood



- Elastic Belts



- Non-deformable foam rubber upholsteries with Dacron covering.



- Cushions foam rubber non-deformable with Dacron covering. Possibilities: soft - medium - hard \*only high back model



- Revolving



- Height adjustment



- Position adjustment