

Ypsilon V



Description

Ypsilon V is a small-sized leather armchair with an original spirit, upholstered in natural ox leathers of the "Mascheroni Leather Colour System" collection. The armchair is easily moved thanks to small back castors. The Ypsilon V Wing variant is fitted with a folding writing tablet (available for left or right-hand usage), which serves as an ingenious armrest table. This Italian luxury furniture is completed by the rotating, adjustable Ypsilon and Ypsilon Conference office models in the same collection. Each is certified "Mascheroni srl Made in Italy".



Ypsilon V

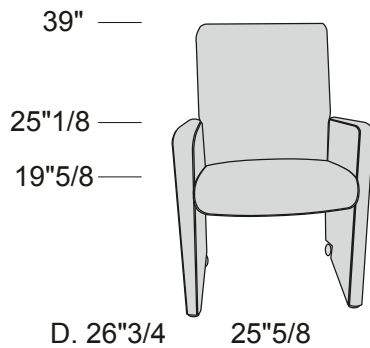
Dimensions

A: 25"5/8W x 26"3/4D x 39"H

Seat height: 19"5/8

Seat depth: 18"7/8

Armrest height: 25"1/8

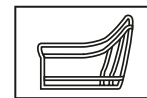
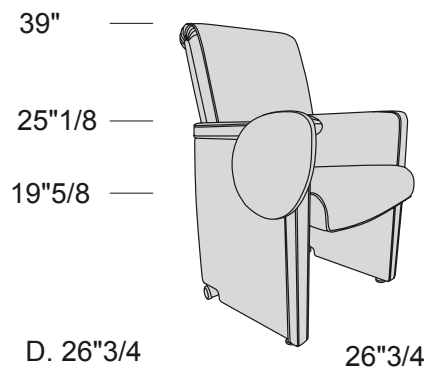


B: 26"3/4W x 26"3/4D x 39"H

Seat height: 19"5/8

Seat depth: 18"7/8

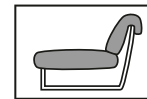
Armrest height: 25"1/8



- Solid wood



- Elastic Belts



- Non-deformable foam rubber upholsteries with Dacron covering.

