

Opera - Turandot

Design: E. Rocchi & M. Crema



Description

Suspension lamp with clear hand-blown ruled glass body, suspended from a round shaped metal support. Includes 15"3/4 long tassel and coated fabric power supply cable, available in colors as per collection. Made in Italy.

TECHNICAL FEATURES

Light source: 1x Max. 42 W E12
HSGH energy saver (bulb not included)
Connection: 100 - 240 Vac, 50/60 Hz
Cable length: 78"3/4

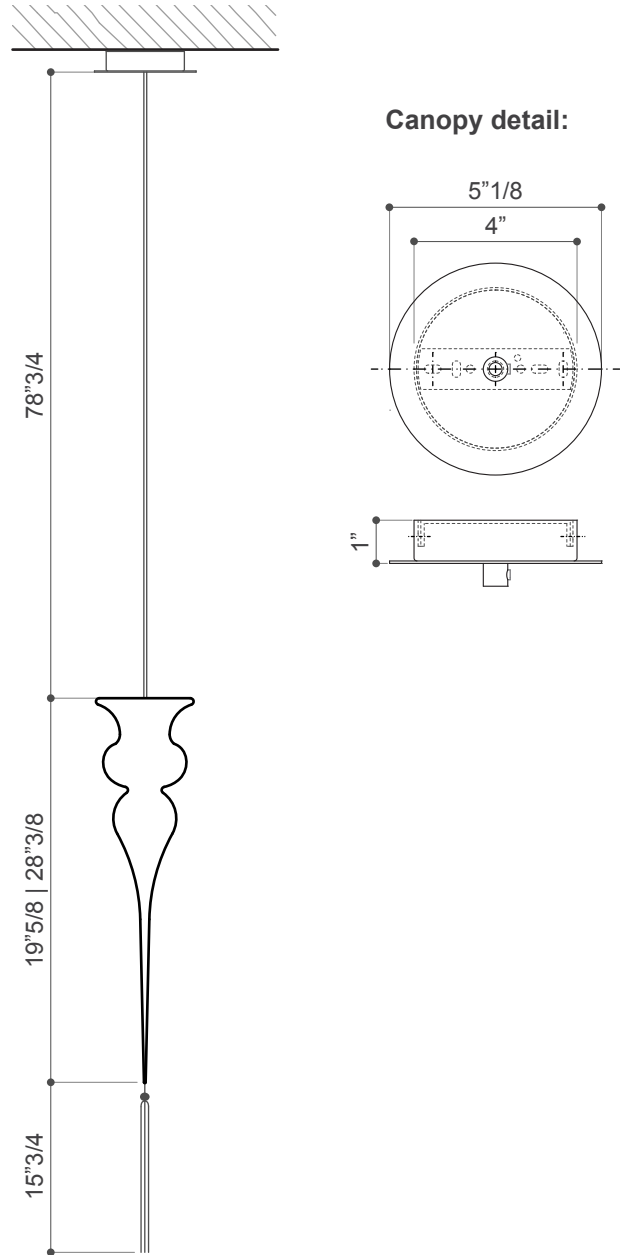
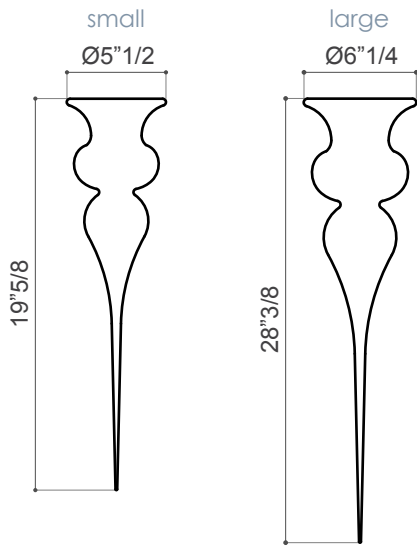


Opera - Turandot

Dimensions (single pendant)

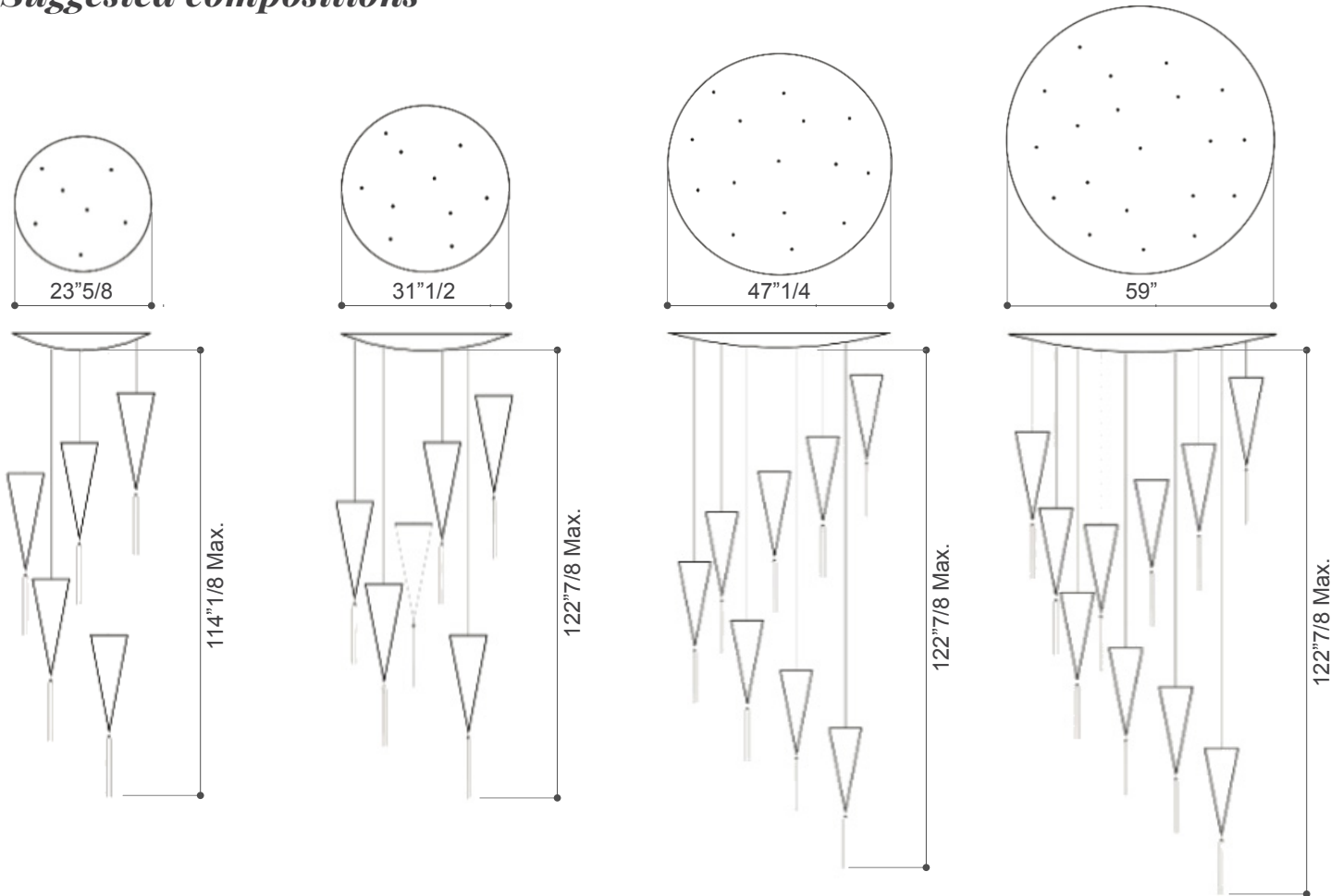
Small: $\text{Ø}5\frac{1}{2}$ x $19\frac{5}{8}$ H (+ tassels: $15\frac{3}{4}$)

Large: $\text{Ø}6\frac{1}{4}$ x $28\frac{3}{8}$ H (+ tassels: $15\frac{3}{4}$)



Opera - Turandot

Suggested compositions



Composition 1:
Ø23"5/8 x 114"1/8 Max.H

1 round fiber-glass ceiling mount covered in gold leaf, 7 small glass pendants, 78"3/4 wire cables and 15"3/4 silk tassels included.

Composition 2:
Ø31"1/2 x 122"7/8 Max.H

1 round fiber-glass ceiling mount covered in gold leaf, 9 large glass pendants, 78"3/4 wire cables and 15"3/4 silk tassels included.

Composition 3:
Ø47"1/4 x 122"7/8 Max.H

1 round fiber-glass ceiling mount covered in gold leaf, 12 large glass pendants, 78"3/4 wire cables and 15"3/4 silk tassels included.

Composition 4:
Ø59" x 122"7/8 Max.H

1 round fiber-glass ceiling mount covered in gold leaf, 20 large glass pendants, 78"3/4 wire cables and 15"3/4 silk tassels included.