

Polo

Design: E-GGS



Description

With its sleek sled base, the Polo chair embodies modern elegance and casual sophistication. The soft curves of the seat harmonize with the geometric precision of the metal structure, creating a chic and distinctive piece that enhances both luxury living rooms and contract environments. Designed for those who appreciate functional beauty and timeless design, Polo reinterprets Italian craftsmanship through a contemporary lens.

Made in Italy.

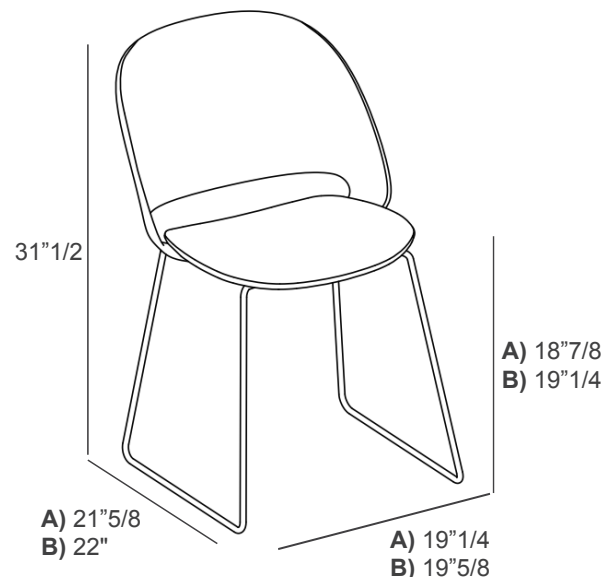
Dimensions

A) 19"1/4W x 21"5/8D x 31"1/2H - Cod. 34.66

Seat height: 18"7/8

B) 19"5/8W x 22"D x 31"1/2H - Cod. 34.66R

Seat height: 19"1/4



Finishes & Materials

Frame: Metal.

Backrest: Polypropylene, Eco-Leather, Fabric, Velvet and Leather.

Seat: Wood, Eco-Leather, Fabric, Velvet and Leather.