

Polo

Design: E-GGS



Description

Dynamic and architectural, the Polo chair with a spider base showcases lightness, strength, and precision craftsmanship. The sculptural geometry of its metal frame contrasts elegantly with the soft, curved seat, creating a designer statement piece that stands out in modern and minimalist interiors. Ideal for luxury home furniture or professional environments, it reflects the brand's commitment to innovation, artistry, and refined functionality.

Made in Italy.

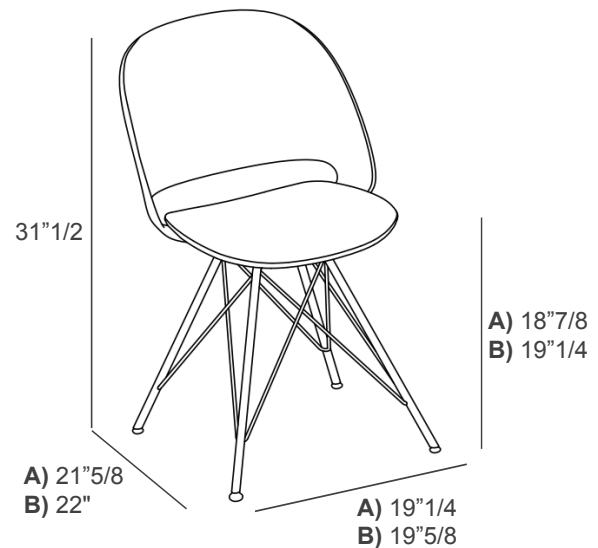
Dimensions

A) 19"1/4W x 21"5/8D x 31"1/2H - Cod. 34.65

Seat height: 18"7/8

B) 19"5/8W x 22"D x 31"1/2H - Cod. 34.65R

Seat height: 19"1/4



Finishes & Materials

Frame: Metal.

Backrest: Polypropylene, Eco-Leather, Fabric, Velvet and Leather.

Seat: Wood, Eco-Leather, Fabric, Velvet and Leather.