

Polo

Design: E-GGS



Description

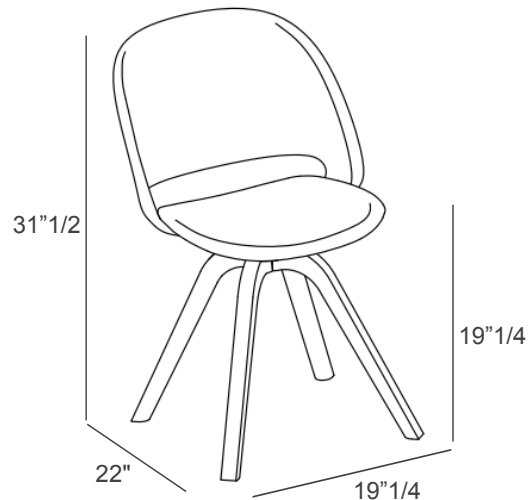
The Polo chair with wooden legs blends organic warmth and modern refinement, offering a perfect balance between craftsmanship and contemporary design. Its smooth, flowing seat recalls the elegance of 1950s aesthetics, while the natural texture of solid wood adds a touch of luxury and authenticity. Designed for both residential and contract settings, Polo represents the essence of Italian luxury furniture, combining comfort, style, and timeless sophistication.

Made in Italy.

Dimensions

19"1/4W x 22"D x 31"1/2H - Cod. 34.63 - 34.63R

Seat height: 19"1/4



Finishes & Materials

Frame: Wood.

Backrest: Polypropylene, Eco-Leather, Fabric, Velvet and Leather.

Seat: Eco-Leather, Fabric, Velvet and Leather.