

Petra

Design: Meneghello Paoletti



Description

The Petra chair, available with or without armrests, expresses a perfect synthesis of lightness, functionality, and elegance. Defined by its balanced interplay of solids and voids, Petra's design embodies both refined craftsmanship and contemporary sophistication.

Its frame, crafted from solid Canaletta walnut, contrasts beautifully with the upholstered seat, creating a harmonious dialogue between structure and softness. This separation not only enhances the chair's aesthetic identity but also improves comfort and usability—facilitating grip and making it easier to move. The subtle flexibility of the backrest further elevates the seating experience, blending ergonomic precision with designer elegance.

Visually light yet structurally strong, Petra stands out as a versatile and timeless piece of luxury Italian furniture, ideal for modern living spaces, dining areas, or high-end contract interiors seeking functional beauty and refined design.

Made in Italy.

Finishes & Materials

Cover: Fabric or Leather.

Frame: Solid walnut or Matt Lacquered Closed Pore.

Petra

Dimensions

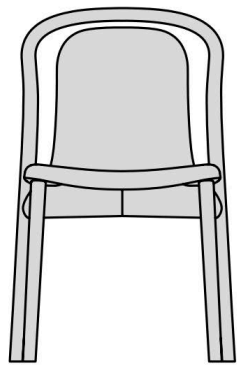
Without armrests: 20"7/8W x 23"1/4D x 33"H

Seat height: 18"1/2

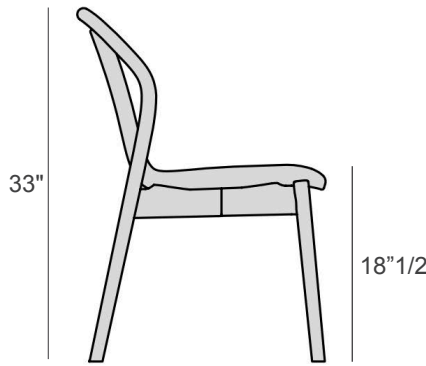
With armrests: 24"W x 23"1/4D x 33"H

Seat height: 18"1/2 / **Armrests height:** 24"3/4

Without armrests

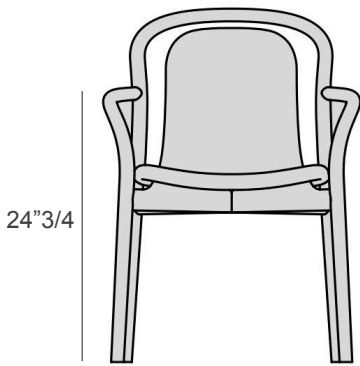


20"7/8

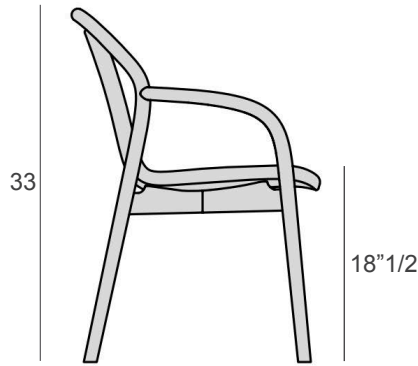


23"1/4

With armrests



24"



23"1/4