

## Teti

*Design: Gabriele & Oscar Buratti*



### *Description*

The Teti chair reinterprets a classic design through a contemporary lens, showcasing Porada's exceptional craftsmanship in solid wood. Its distinctive structure features rear legs that merge into a sculptural 'T'-shaped form, creating a seamless dialogue between form and function. The design originates from an elliptical wooden section that twists gracefully to define both the backrest and armrests, highlighting the organic fluidity of the material.

Comfort is ensured by a soap-shaped seat cushion, slightly sloped for ergonomic support, and a soft back cushion that provides gentle, enveloping comfort. A saddle leather cord in Testa di Moro finish elegantly secures the back cushion—an artisanal detail that enhances the chair's refined character.

With its elegant proportions, timeless silhouette, and expert woodworking, Teti embodies the essence of Italian contemporary furniture design—a piece where aesthetic sophistication meets functional comfort, ideal for both residential and contract interiors.

Made in Italy.

### *Finishes & Materials*

**Cover:** Fabric or Leather.

**Back Cord:** Waxed Leather.

**Frame:** Solid wood.

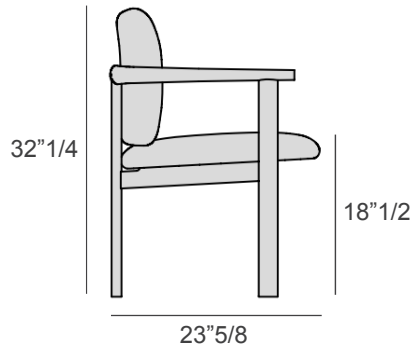
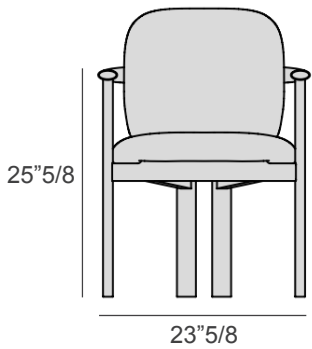
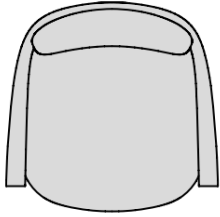
## Teti

### Dimensions

23"5/8W x 23"3/8D x 32"1/4H

Seat height: 18"1/2

Armrests height: 25"5/8



**Back cord in Wax  
Leather to secure and keep  
the back cushion**

