

Fusion

Design: A. Casati



Description

Extendable dining table, with top and extensions in glass or ceramic. Base and track in painted metal. A very easy patented mechanism to pull out the lateral extensions allows the widening of the top in 31"1/2. Made in Italy.

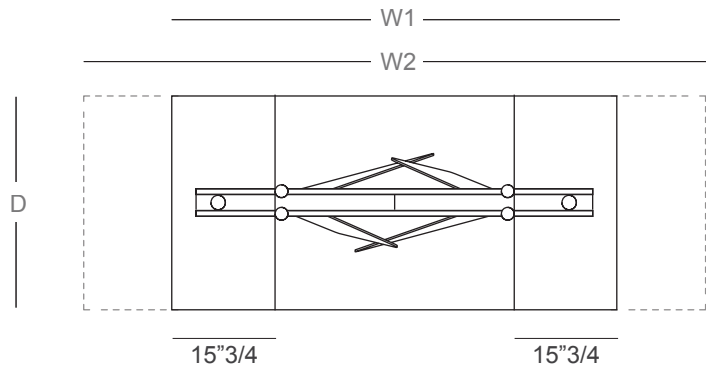
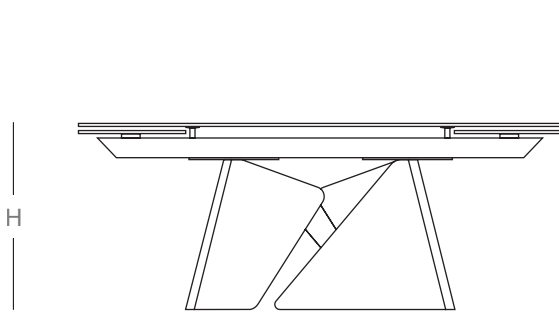


Fusion

Dimensions

	W1	W2	D	H
A:	70 ⁷ / ₈	102 ³ / ₈ W	39 ³ / ₈ D	29 ¹ / ₂ H
B:	78 ³ / ₄	110 ¹ / ₄ W	39 ³ / ₈ D	29 ¹ / ₂ H
C:	86 ⁵ / ₈	118 ¹ / ₈ W	39 ³ / ₈ D	29 ¹ / ₂ H

	W1	W2	D	H
D:	70 ⁷ / ₈	102 ³ / ₈ W	43 ¹ / ₄ D	29 ¹ / ₂ H
E:	78 ³ / ₄	110 ¹ / ₄ W	43 ¹ / ₄ D	29 ¹ / ₂ H
F:	86 ⁵ / ₈	118 ¹ / ₈ W	43 ¹ / ₄ D	29 ¹ / ₂ H



Top shapes available:



Rectangular



Toroidal



Rounded