

Gravity

Design: A. Casati



Description

Extendable dining table, with top and extensions in glass or ceramic. Base and track in painted metal. A very easy patented mechanism to pull out the lateral extensions allows the widening of the top in 31"1/2. Made in Italy.

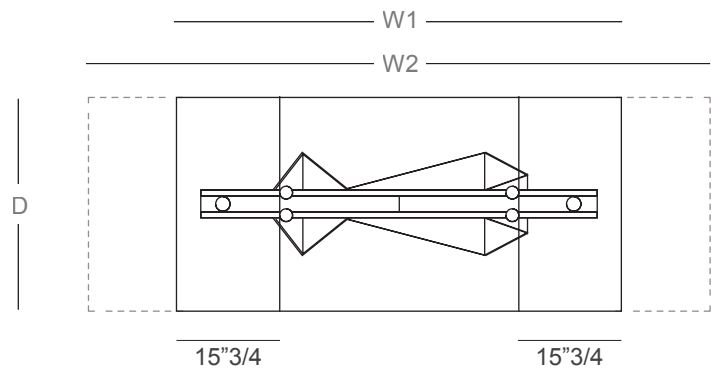
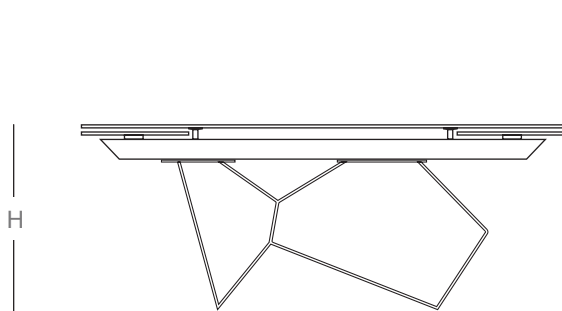


Gravity

Dimensions

| | W1 | W2 | D | H |
|-----------|--------|------------|-----------|-----------|
| A: | 70"7/8 | - 102"3/8W | x 39"3/8D | x 29"1/2H |
| B: | 78"3/4 | - 110"1/4W | x 39"3/8D | x 29"1/2H |
| C: | 86"5/8 | - 118"1/8W | x 39"3/8D | x 29"1/2H |

| | W1 | W2 | D | H |
|-----------|--------|------------|-----------|-----------|
| D: | 70"7/8 | - 102"3/8W | x 43"1/4D | x 29"1/2H |
| E: | 78"3/4 | - 110"1/4W | x 43"1/4D | x 29"1/2H |
| F: | 86"5/8 | - 118"1/8W | x 43"1/4D | x 29"1/2H |



Top shapes available:



Rectangular



Toroidal



Rounded